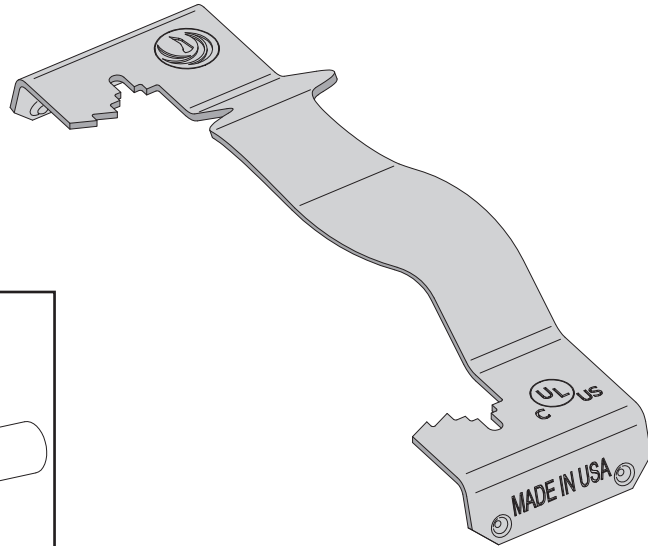


Installation and Instruction Sheets

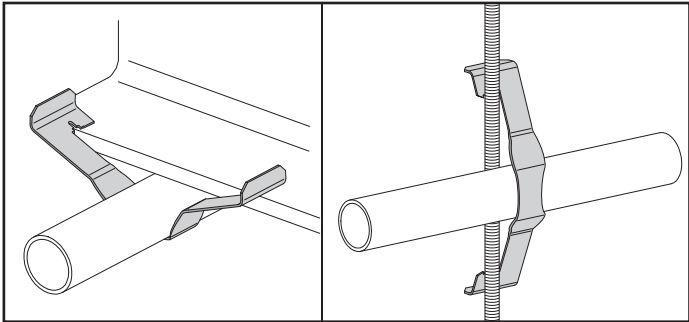
WC & WCBW - WING CLIP CONDUIT HANGER

SHEET: 1 OF 2



FLANGE INSTALLATION

WIRE OR ROD INSTALLATION



WC clips shown. See sheet 2 for WCBW clip illustration

Conduit Size	#12 & #10 Wire (.105 & .135 Wire)	#9 & #8 Wire (.148 & .162 Wire)	3/16" & 1/4" Rod	1/8" Thru 1/4" Flange	5/16" Thru 3/8" Flange	7/16" Thru 1/2" Flange
1/2" EMT	WC8	WC8	WC8	WC8	WC12	WC12
1/2" RIGID	WC8	WC12	WC12	WC12	WC12	WC16
3/4" EMT	WC12	WC12	WC12	WC12	WC16	WC16
3/4" RIGID	WC12	WC12	WC16	WC16	WC16	WC20
1" EMT	-	WC16	WC16	WC20	WC20	WC20
1" RIGID	-	-	-	WC20	WC20	WC20
1-1/4" EMT	-	WC20	WC20	WC20	-	-

See Load Ratings on Sheet 2

MC/AC Cable Size	#12, #10, #9, & #8 Wire
14 - 2 (.433-.475 O.D.)	WCBW
14 - 3 (.453-.500 O.D.)	
12 - 2 (.467-.475 O.D.)	
12 - 3 (.489-.535 O.D.)	

For Position Only



Note:

- For support of conduit per NEC 344.30 (B).
- Dedicated drop wire/rod secured (anchored) at both ends required per NEC 300.11.
- For wet or dry applications.
- Wing clips are for single use only.

Revision: R4



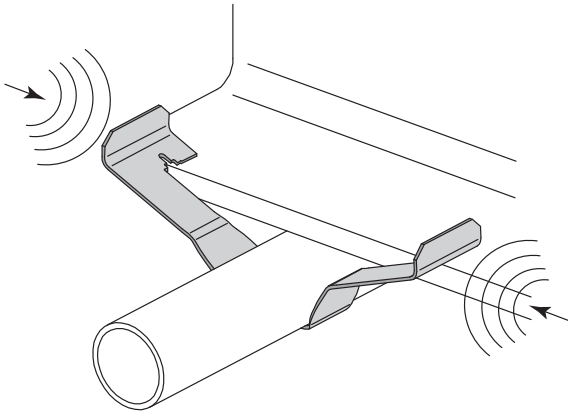
Call ZSi-Foster at
(800) 323-7053
or order now at
ZSi-Foster.com

CUSTOMER RESPONSIBILITIES: At a minimum the customer(s) is responsible for using industry standard hardware and fasteners, inspecting the structural integrity of the structure to which ZSi-Foster products will be attached, conforming to all governing codes and regulations at the job site and following all safety precautions related to the work being performed.

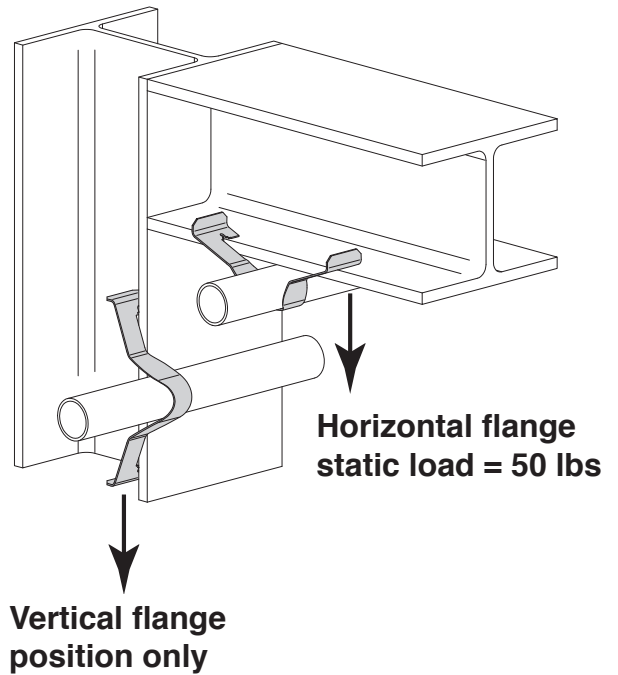
WARNING: ZSi-Foster products must never be used for purposes other than those for which they were designed or in any way that exceeds published load ratings. All load ratings are for static conditions and do not account for dynamic loading such as wind, water or seismic loads. ZSi-Foster products must be installed and used only as indicated in ZSi-Foster installation and instruction sheets. Improper installation, misuse, misapplication or any other failure to completely follow ZSi-Foster's instructions could lead to decreased load rating, product failure, property damage, injury or even death.

INSTALLATION:

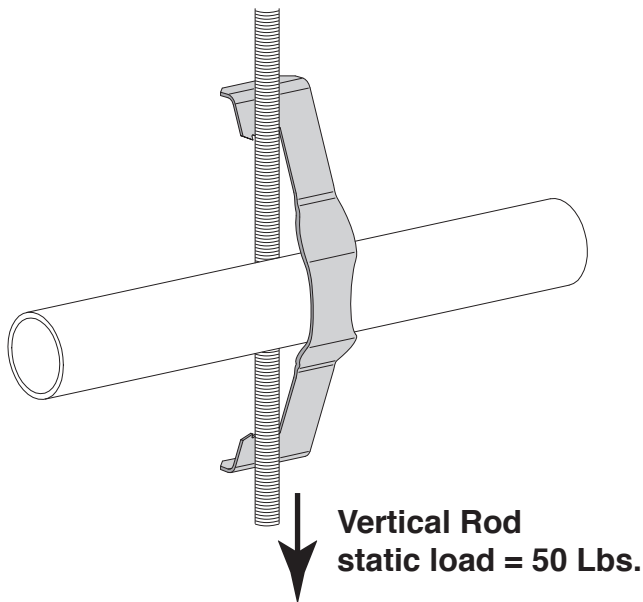
Squeeze tabs to apply



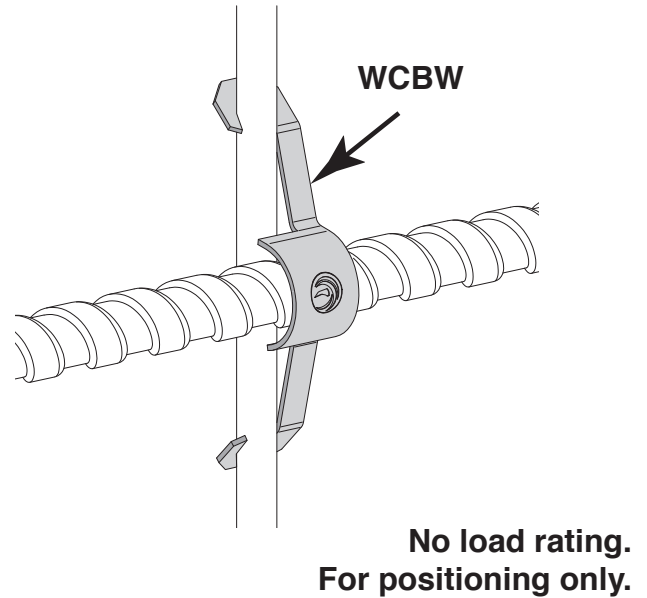
BEAM LOAD RATINGS:



THREADED ROD LOAD RATINGS:



MC/AC TO WIRE INSTALLATION:



Call ZSi-Foster at (800) 323-7053 or order now at ZSi-Foster.com