

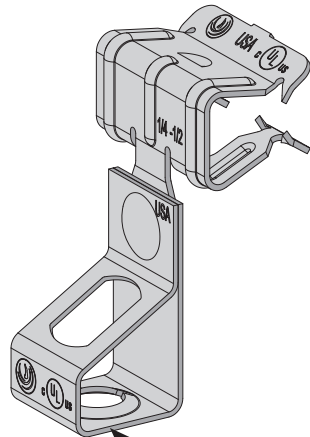
# Installation and Instruction Sheets

## FH T - FLANGE CLIP HAMMER ON SIDE MOUNT WITH ROD HANGER THREAD INSTALL

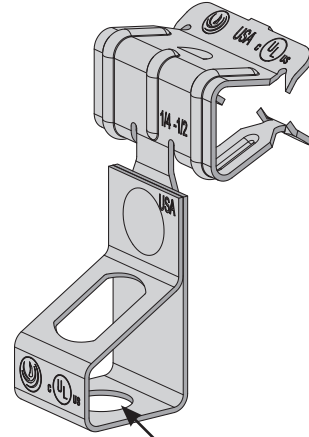
SHEET: 1 OF 2



Made in USA



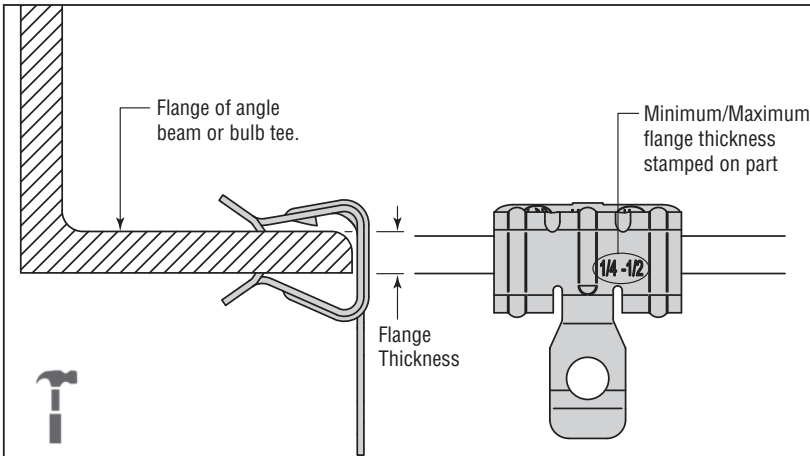
FH RH T Hole Size



FH RH Hole Size



### INSTALLATION



Verify flange thickness. Tap onto flange with hammer (use wood block when installing on bulb tees)

**WARNING:**

Excessive hammer force may damage or break clip

Catalog Number	Minimum - Maximum Flange Thickness	Hole Size
FH24RH4T	1/8" - 1/4"	1/4-20 Thread Form
FH58RH4T	5/16" - 1/2"	1/4-20 Thread Form
FH912RH4T	9/16" - 3/4"	1/4-20 Thread Form
FH24RH6T	1/8" - 1/4"	3/8-16 Thread Form
FH58RH6T	5/16" - 1/2"	3/8-16 Thread Form
FH912RH6T	9/16" - 3/4"	3/8-16 Thread Form
FH24RH6 *	1/8" - 1/4"	13/32" thru hole for 1/4" or 3/8" Threaded Rod
FH58RH6 *	5/16" - 1/2"	13/32" thru hole for 1/4" or 3/8" Threaded Rod
FH912RH6 *	9/16" - 3/4"	13/32" thru hole for 1/4" or 3/8" Threaded Rod

\* 2 nuts required (sold separately)

**Notes:**

- Hammer-on flange hangers are for single use only.
- Not to be used on tapered flanges.
- See Sheet 2 for common installation and load rating.
- For wet or dry applications.

Revision: 2



Call ZSi-Foster at  
**(800) 323-7053**  
or order now at  
[ZSi-Foster.com](http://ZSi-Foster.com)

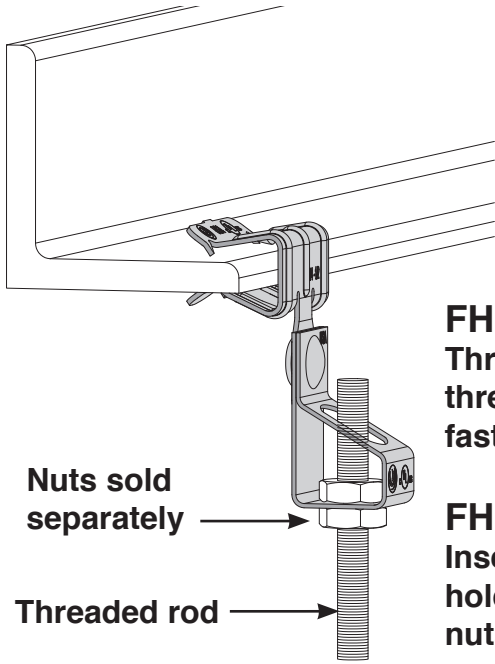
**CUSTOMER RESPONSIBILITIES:** At a minimum the customer(s) is responsible for using industry standard hardware and fasteners, inspecting the structural integrity of the structure to which ZSi-Foster products will be attached, conforming to all governing codes and regulations at the job site and following all safety precautions related to the work being performed.

**WARNING:** ZSi-Foster products must never be used for purposes other than those for which they were designed or in any way that exceeds published load ratings. All load ratings are for static conditions and do not account for dynamic loading such as wind, water or seismic loads. ZSi-Foster products must be installed and used only as indicated in ZSi-Foster installation and instruction sheets. Improper installation, misuse, misapplication or any other failure to completely follow ZSi-Foster's instructions could lead to decreased load rating, product failure, property damage, injury or even death.

**FH T - FLANGE CLIP HAMMER ON SIDE MOUNT WITH  
ROD HANGER THREAD INSTALL**

SHEET: 2 OF 2

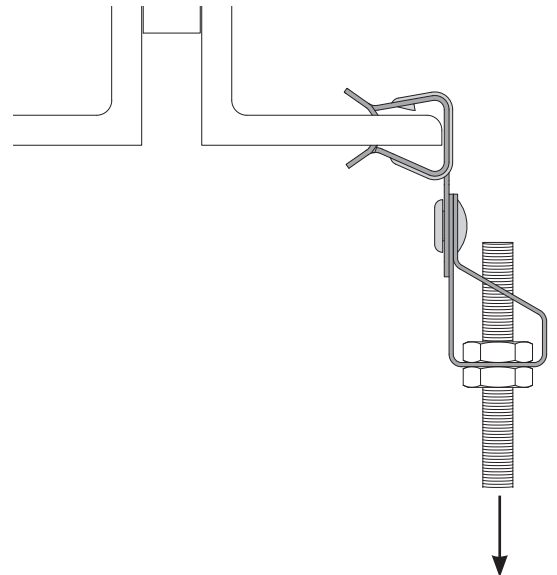
**ROD INSTALLATION:**



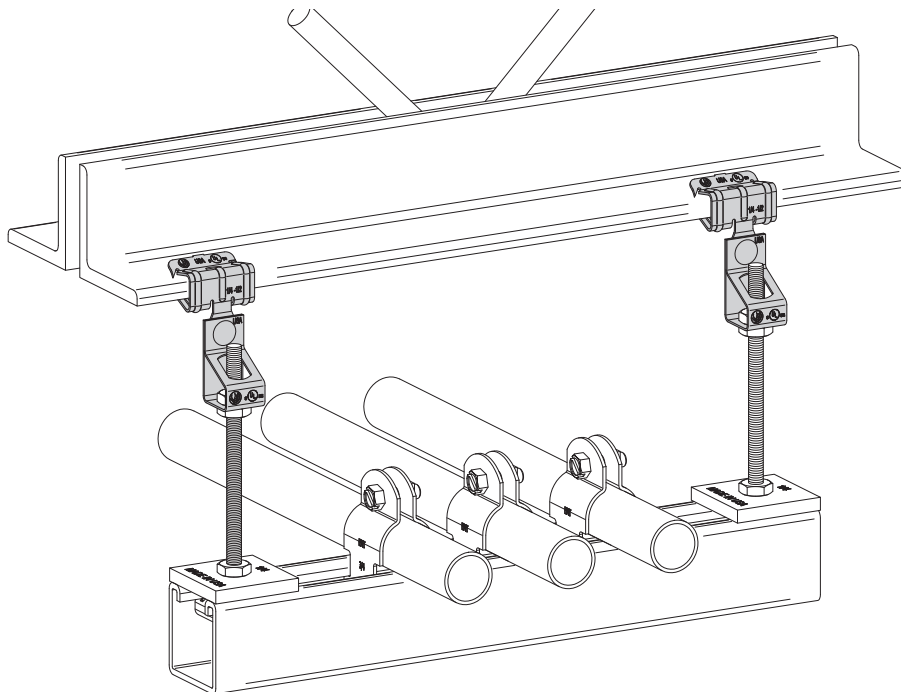
**FH RH T:**  
Thread rod through  
thread form in  
fastener

**FH RH:**  
Insert rod through  
hole and tighten 2  
nuts

**LOAD RATINGS:**



**TYPICAL APPLICATION:**



Call ZSi-Foster at (800) 323-7053 or order now at [ZSi-Foster.com](http://ZSi-Foster.com)