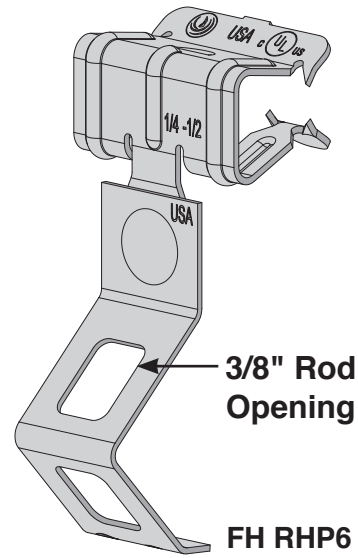
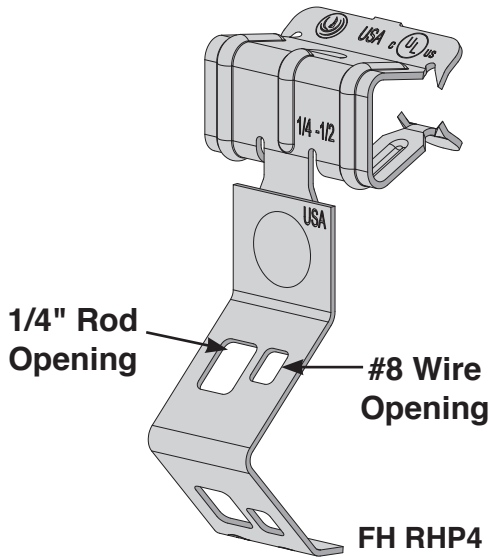


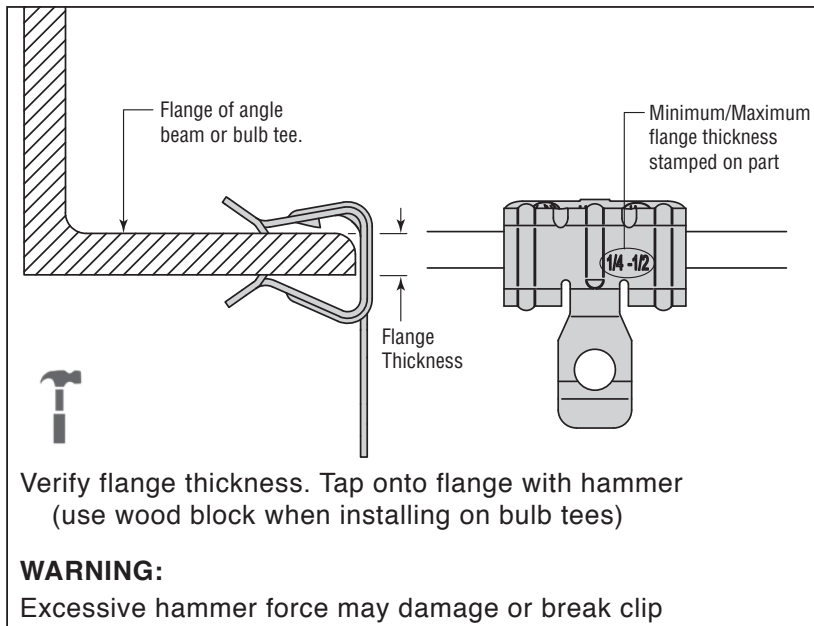
Installation and Instruction Sheets

FH P - FLANGE CLIP HAMMER ON SIDE MOUNT WITH ROD HANGER PUSH INSTALL

SHEET: 1 OF 2



INSTALLATION



Catalog Number	Minimum - Maximum Flange Thickness	Wire/ Rod Size
FH24RHP4	1/8" - 1/4"	#8 Wire or 1/4" Rod
FH58RHP4	5/16" - 1/2"	#8 Wire or 1/4" Rod
FH912RHP4	9/16" - 3/4"	#8 Wire or 1/4" Rod
FH24RHP6	1/8" - 1/4"	3/8" Rod
FH58RHP6	5/16" - 1/2"	3/8" Rod
FH912RHP6	9/16" - 3/4"	3/8" Rod



Notes:

- Hammer on flange hangers are for single use only.
- Not to be used on tapered flanges.
- See Sheet 2 for common installation and load rating.
- For wet or dry applications.

Revision: 2

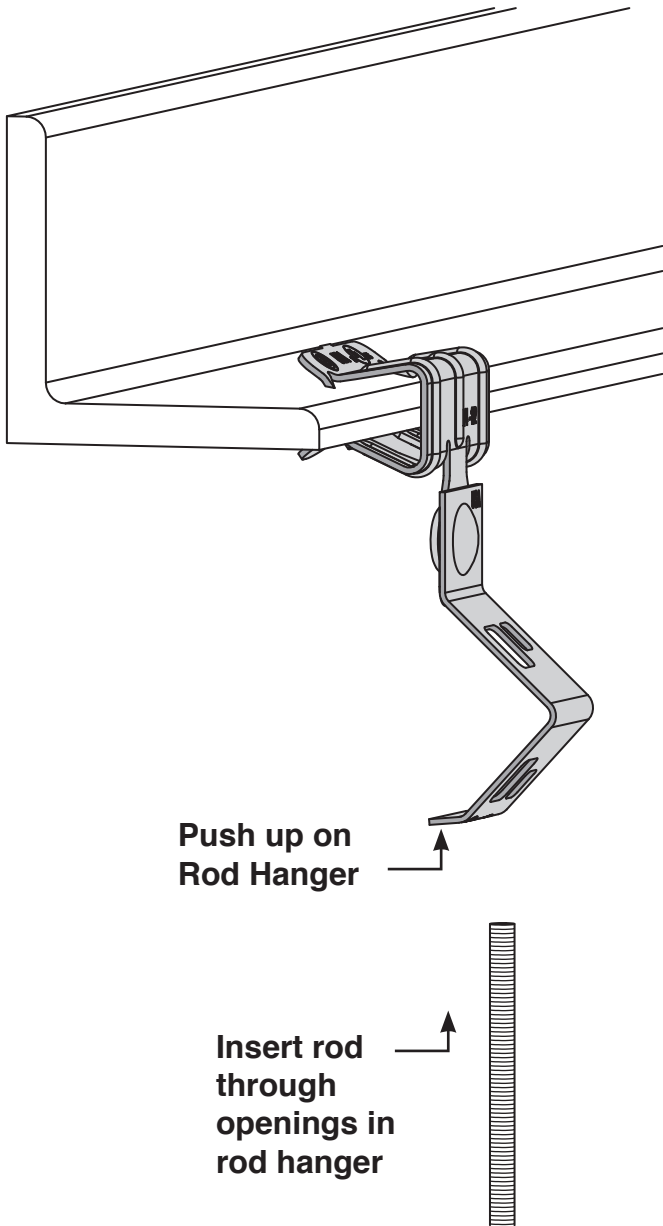


Call ZSi-Foster at
(800) 323-7053
or order now at
ZSi-Foster.com

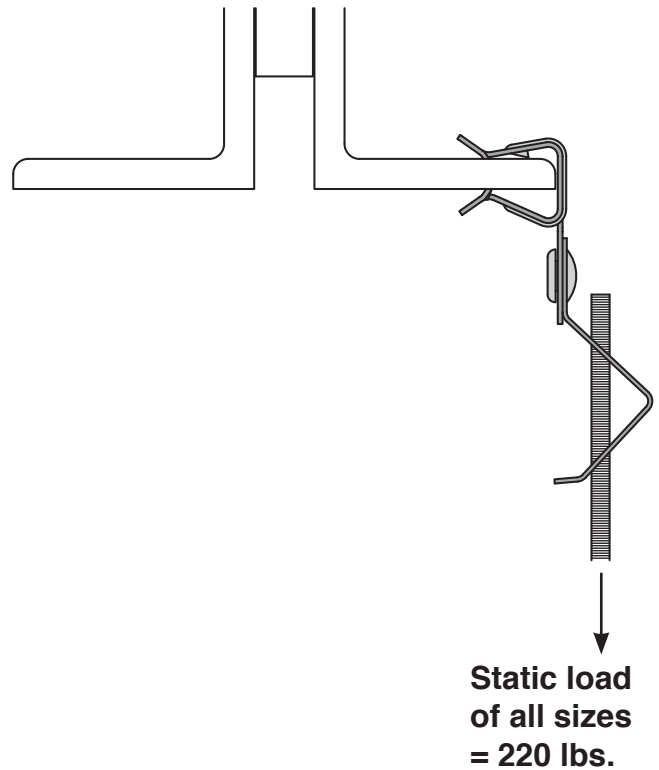
CUSTOMER RESPONSIBILITIES: At a minimum the customer(s) is responsible for using industry standard hardware and fasteners, inspecting the structural integrity of the structure to which ZSi-Foster products will be attached, conforming to all governing codes and regulations at the job site and following all safety precautions related to the work being performed.

WARNING: ZSi-Foster products must never be used for purposes other than those for which they were designed or in any way that exceeds published load ratings. All load ratings are for static conditions and do not account for dynamic loading such as wind, water or seismic loads. ZSi-Foster products must be installed and used only as indicated in ZSi-Foster installation and instruction sheets. Improper installation, misuse, misapplication or any other failure to completely follow ZSi-Foster's instructions could lead to decreased load rating, product failure, property damage, injury or even death.

STEP 1:



LOAD RATINGS:



Call ZSi-Foster at (800) 323-7053 or order now at ZSi-Foster.com