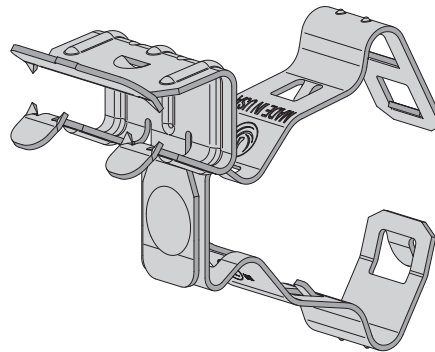
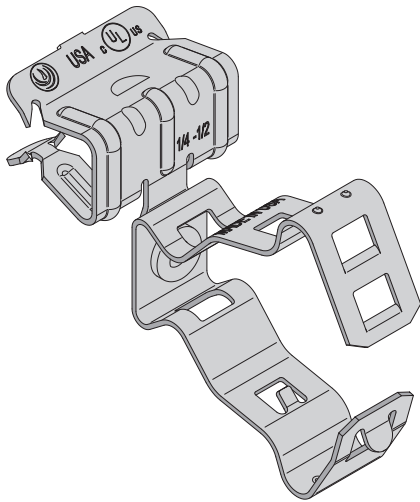


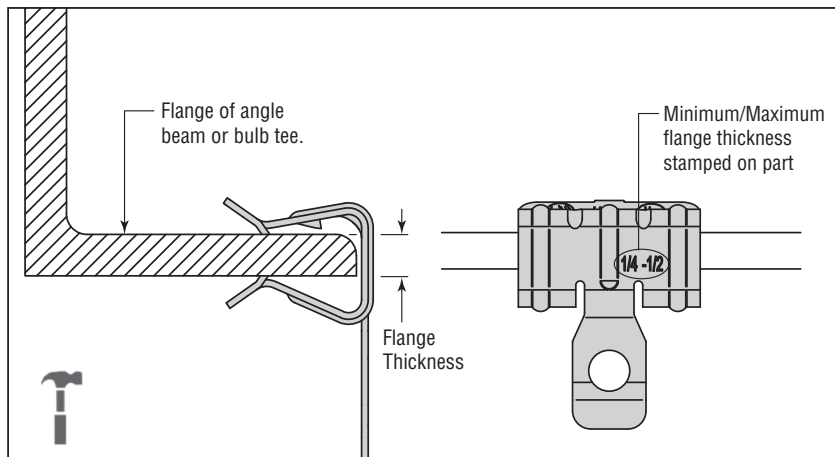
Installation and Instruction Sheets

FHS C - FLANGE CLIP HAMMER ON SIDE MOUNT WITH CONDUIT CLIP

SHEET: 1 OF 2



INSTALLATION



Verify flange thickness. Tap onto flange with hammer (use wood block when installing on bulb tees)

WARNING:

Excessive hammer force may damage or break clip

Notes:

- Not to be used on tapered flanges.
- See Sheet 2 for common installation and load rating.
- For wet or dry applications.
- Hammer-on flange hangers are for single use only.
- For support of conduit per NEC 344.30(B).

Revision: R4

Catalog Number	Minimum - Maximum Flange Thickness	Conduit Size
FHS24CC812	1/8" - 1/4"	1/2" & 3/4" EMT, IMC, Rigid
FHS58CC812	5/16" - 1/2"	1/2" & 3/4" EMT, IMC, Rigid
FHS912CC812	9/16" - 3/4"	1/2" & 3/4" EMT, IMC, Rigid
FHS24CC16	1/8" - 1/4"	1" EMT, Rigid
FHS58CC16	5/16" - 1/2"	1" EMT, Rigid
FHS912CC16	9/16" - 3/4"	1" EMT, Rigid
FHS24CC20	1/8" - 1/4"	1-1/4" EMT, Rigid
FHS58CC20	5/16" - 1/2"	1-1/4" EMT, Rigid
FHS58CC20	9/16" - 3/4"	1-1/4" EMT, Rigid
FHS24CC24	1/8" - 1/4"	1-1/2" EMT, Rigid
FHS58CC24	5/16" - 1/2"	1-1/2" EMT, Rigid
FHS912CC24	9/16" - 3/4"	1-1/2" EMT, Rigid
FHS24CC32	1/8" - 1/4"	2" EMT, Rigid
FHS58CC32	5/16" - 1/2"	2" EMT, Rigid
FHS912CC32	9/16" - 3/4"	2" EMT, Rigid



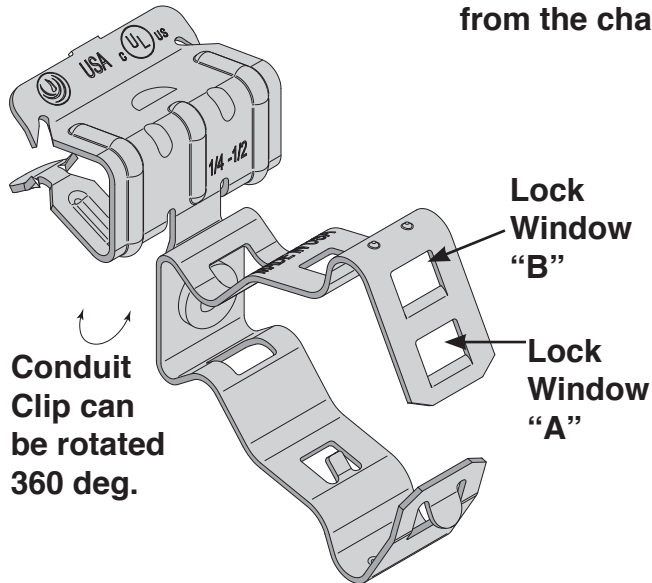
Call ZSi-Foster at
(800) 323-7053
or order now at
ZSi-Foster.com

CUSTOMER RESPONSIBILITIES: At a minimum the customer(s) is responsible for using industry standard hardware and fasteners, inspecting the structural integrity of the structure to which ZSi-Foster products will be attached, conforming to all governing codes and regulations at the job site and following all safety precautions related to the work being performed.

WARNING: ZSi-Foster products must never be used for purposes other than those for which they were designed or in any way that exceeds published load ratings. All load ratings are for static conditions and do not account for dynamic loading such as wind, water or seismic loads. ZSi-Foster products must be installed and used only as indicated in ZSi-Foster installation and instruction sheets. Improper installation, misuse, misapplication or any other failure to completely follow ZSi-Foster's instructions could lead to decreased load rating, product failure, property damage, injury or even death.

STEP 1:

Verify lock window from the chart

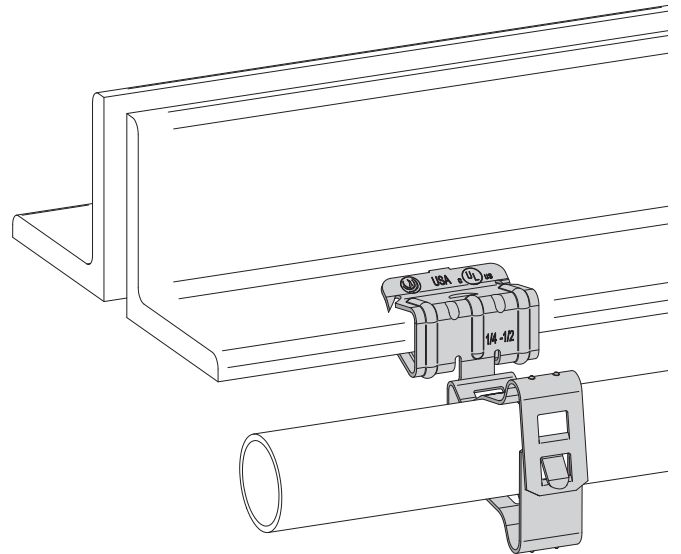


Conduit Clip can be rotated 360 deg.

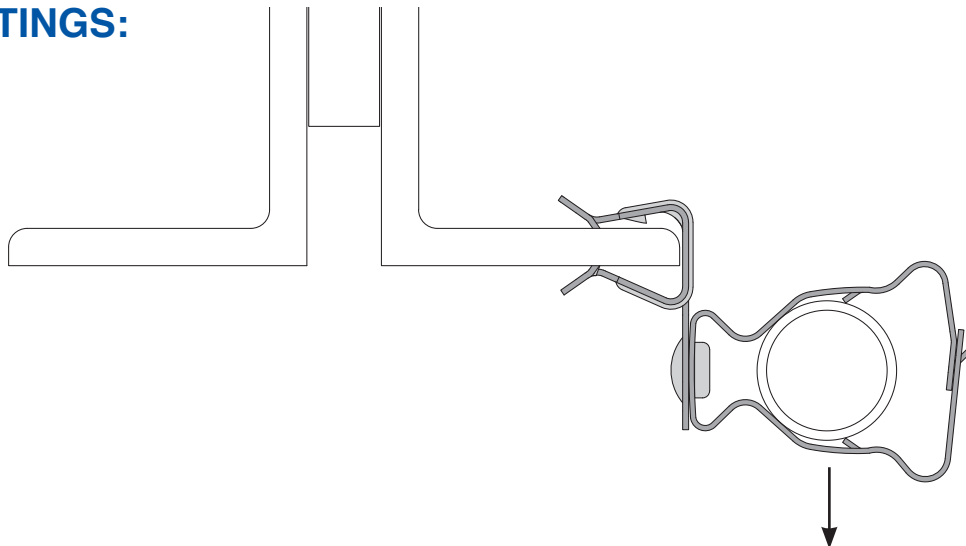
	Lock Window "A"	Lock Window "B"
Conduit Size	1/2" Rigid 3/4" EMT, IMC, Rigid	1/2" EMT, IMC
	1" EMT, Rigid	N/A
	1-1/4" Rigid	1-1/4" EMT
	1-1/2" Rigid	1-1/2" EMT
	2" Rigid	2" EMT

STEP 2:

Fit conduit into clip. Lock clip using fingers or pliers.



LOAD RATINGS:



Static load of all sizes = 30 lbs.

Call ZSi-Foster at (800) 323-7053 or order now at ZSi-Foster.com