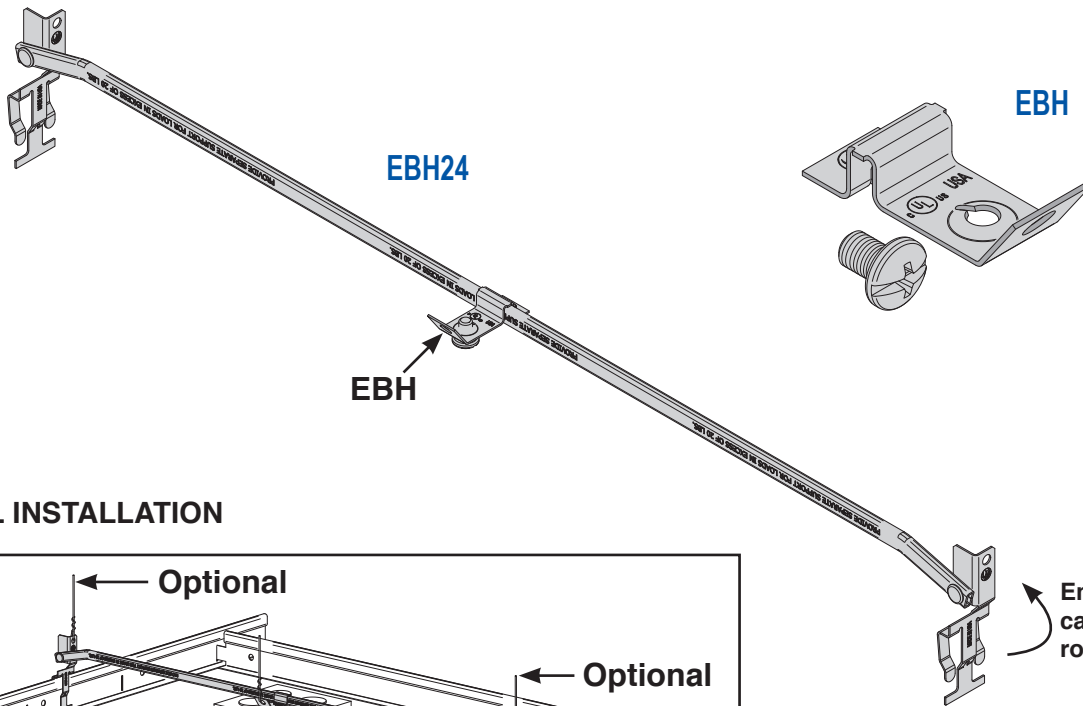


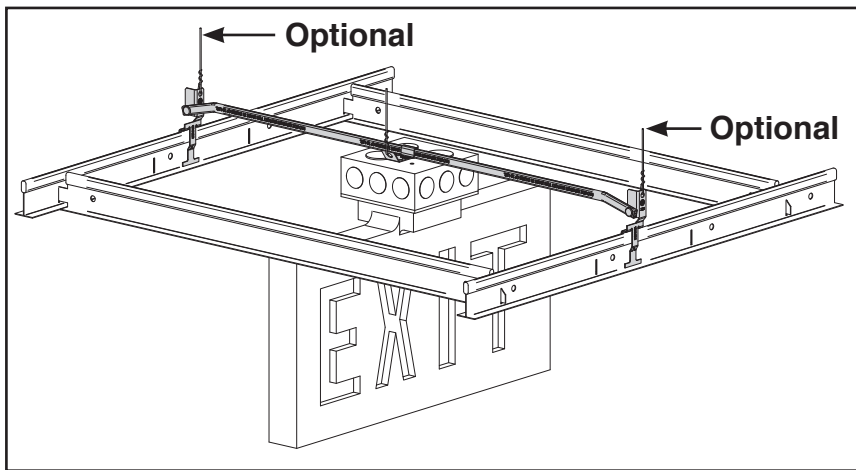
Installation and Instruction Sheets

EBH - ELECTRICAL BOX HANGER WITH BOX MOUNTING CENTER CLIP

SHEET: 1 OF 2



TYPICAL INSTALLATION



Catalog Number	Description
EBH24	Complete assembly to flush mount a 1-1/2" deep box with or without 3/4" device ring or 2-1/8" deepbox to ceiling tile. Used for 24" on center T-grid spacing. (See sheet 2 for box orientations)
EBH	Box mounting clip and screw for attaching one or multiple boxes to EB 24 assembly.

Notes:

- For use with 4", 4-11/16" and octagonal outlet boxes.
- May require dedicated drop wire(s) check local authority.
- Drop wire to EBH required when used with an outlet box.

CAUTION:

- Do not use for hanging tee-grid system.
- Not for use with paddle fans.

Revision: 2



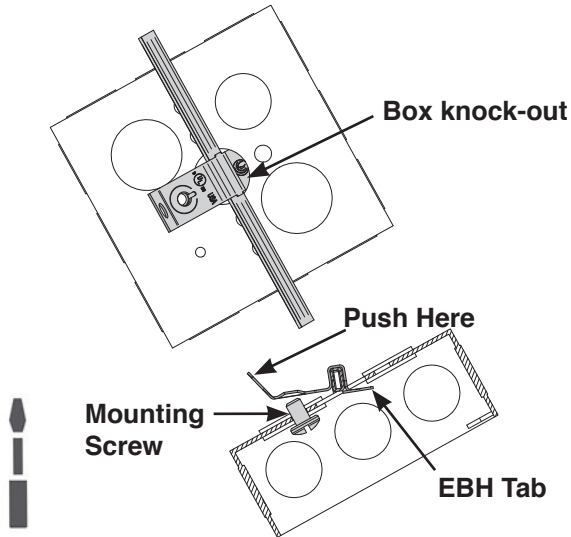
Call ZSi-Foster at
(800) 323-7053
or order now at
ZSi-Foster.com

CUSTOMER RESPONSIBILITIES: At a minimum the customer(s) is responsible for using industry standard hardware and fasteners, inspecting the structural integrity of the structure to which ZSi-Foster products will be attached, conforming to all governing codes and regulations at the job site and following all safety precautions related to the work being performed.

WARNING: ZSi-Foster products must never be used for purposes other than those for which they were designed or in any way that exceeds published load ratings. All load ratings are for static conditions and do not account for dynamic loading such as wind, water or seismic loads. ZSi-Foster products must be installed and used only as indicated in ZSi-Foster installation and instruction sheets. Improper installation, misuse, misapplication or any other failure to completely follow ZSi-Foster's instructions could lead to decreased load rating, product failure, property damage, injury or even death.

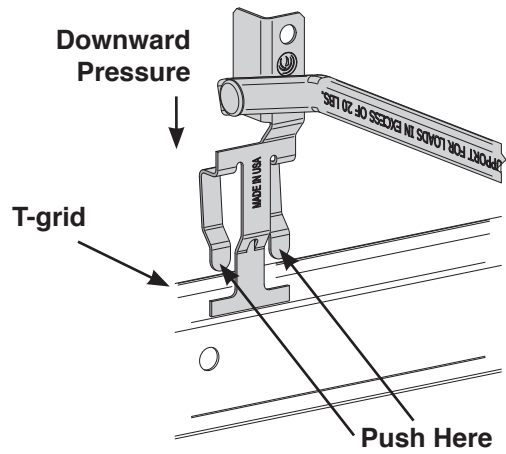
CENTER CLIP INSTALLATION:

Insert EBH tab into knock-out in box as shown. Push down on outboard tab while tightening mounting screw.

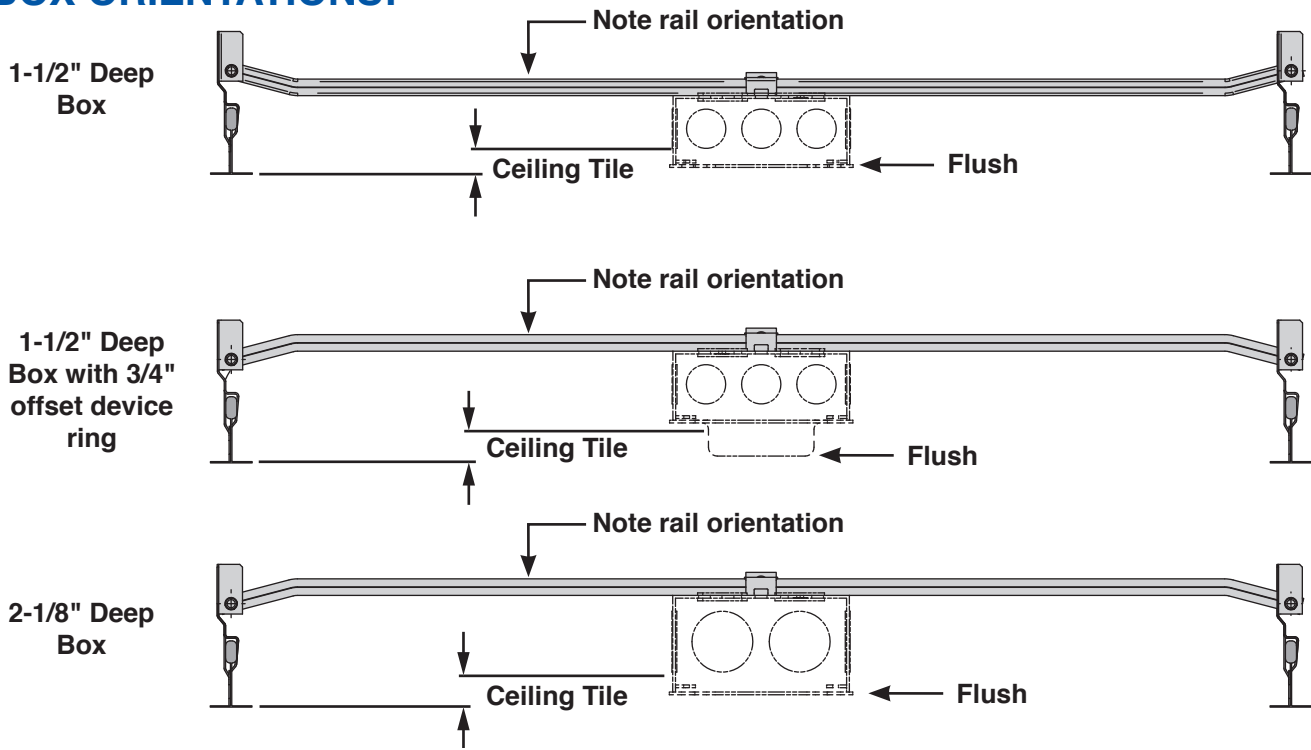


INSTALLING TO T-GRID:

Push on end tabs as shown while applying downward pressure to seat clip on T-grid.



BOX ORIENTATIONS:



Call ZSi-Foster at (800) 323-7053 or order now at ZSi-Foster.com