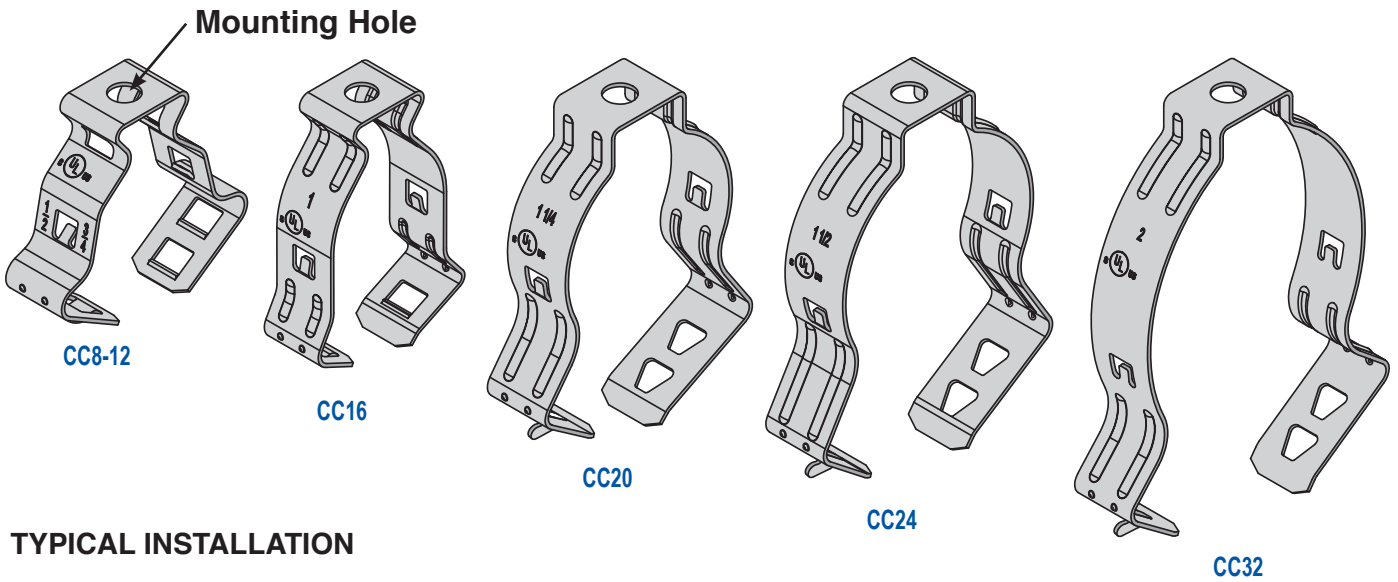


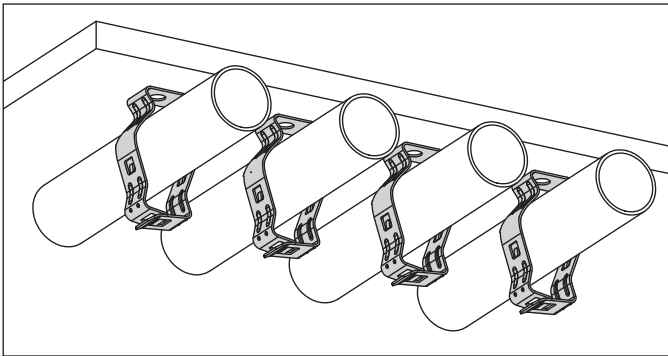
Installation and Instruction Sheets

CC & CCT - CONDUIT CLIPS

SHEET: 1 OF 2



TYPICAL INSTALLATION



Catalog Number	Mounting Hole	Conduit Size
CC8-12	9/32" Thru Hole	1/2" EMT, IMC, Rigid
CCT8-12	1/4"-20 Thread Form	3/4" EMT, IMC, Rigid
CC16	9/32" Thru Hole	1" EMT, Rigid
CCT16	1/4"-20 Thread Form	
CC20	9/32" Thru Hole	1-1/4" EMT, Rigid
CCT20	1/4"-20 Thread Form	1-1/2" EMT, Rigid
CC24	9/32" Thru Hole	
CCT24	1/4"-20 Thread Form	2" EMT, Rigid
CC32	9/32" Thru Hole	
CCT32	1/4"-20 Thread Form	

Notes:

- For wet or dry applications.
- For support of conduit per NEC 344.30(B).

Revision: R3



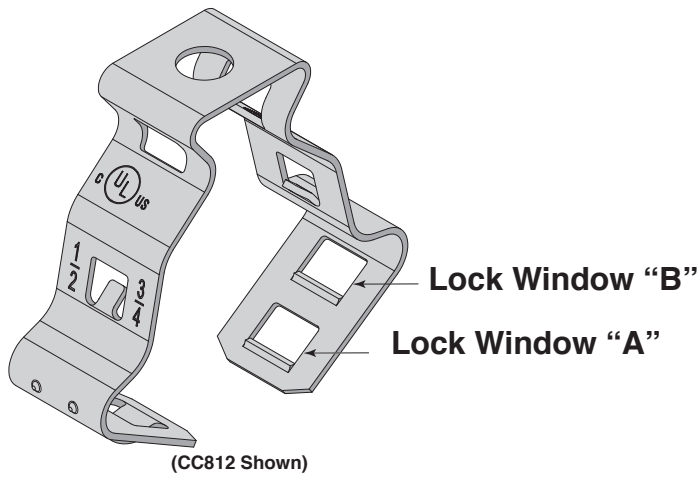
Call ZSi-Foster at
(800) 323-7053
 or order now at
ZSi-Foster.com

CUSTOMER RESPONSIBILITIES: At a minimum the customer(s) is responsible for using industry standard hardware and fasteners, inspecting the structural integrity of the structure to which ZSi-Foster products will be attached, conforming to all governing codes and regulations at the job site and following all safety precautions related to the work being performed.

WARNING: ZSi-Foster products must never be used for purposes other than those for which they were designed or in any way that exceeds published load ratings. All load ratings are for static conditions and do not account for dynamic loading such as wind, water or seismic loads. ZSi-Foster products must be installed and used only as indicated in ZSi-Foster installation and instruction sheets. Improper installation, misuse, misapplication or any other failure to completely follow ZSi-Foster's instructions could lead to decreased load rating, product failure, property damage, injury or even death.

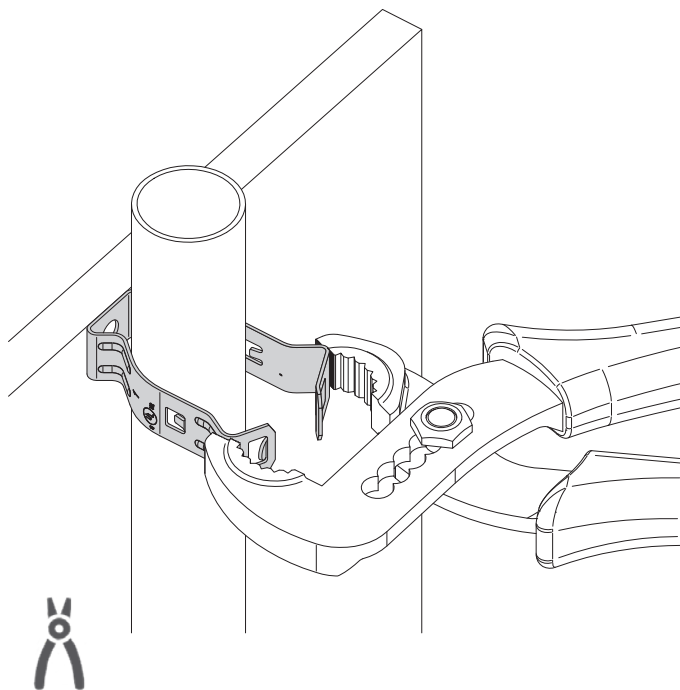
STEP 1:

Verify lock window from the chart.

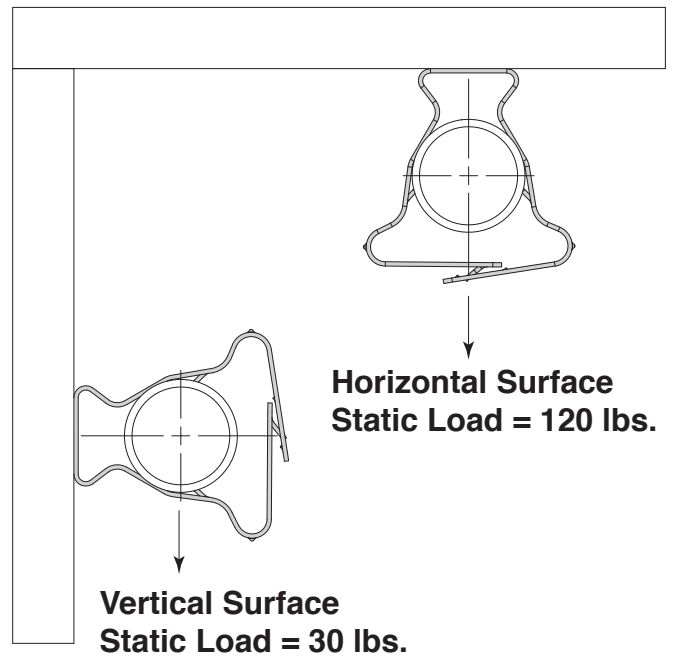


Catalog Number	Lock Window "A"	Lock Window "B"
CC812 or CCT812	1/2" Rigid 3/4" EMT, IMC, Rigid	1/2" EMT, IMC
CC16 or CCT16	EMT, Rigid	N/A
CC20 or CCT20	Rigid	EMT
CC24 or CCT24	Rigid	EMT
CC32 or CCT32	Rigid	EMT

STEP 2: Fit Conduit into clip. Lock Clip using fingers or pliers.



CONDUIT CLIP LOAD DATA:



Call ZSi-Foster at (800) 323-7053 or order now at ZSi-Foster.com