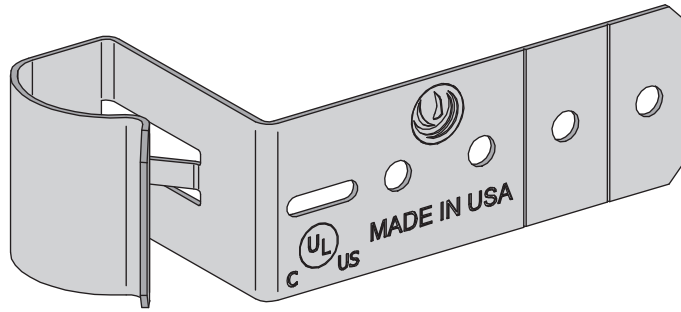


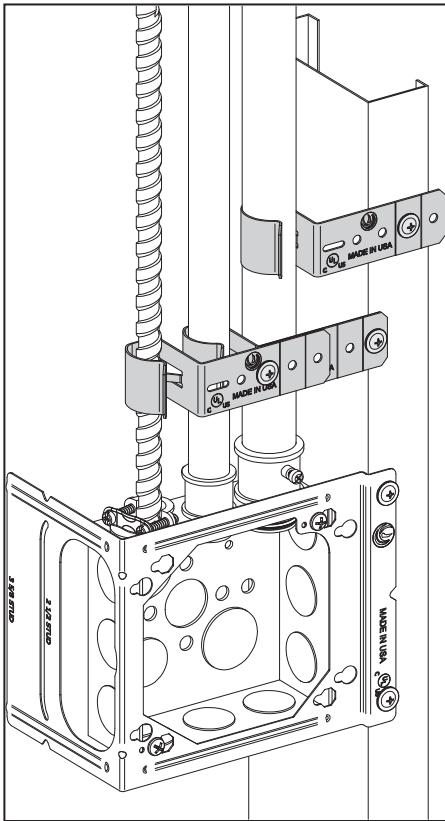
Installation and Instruction Sheets

CTS - CONDUIT CLIP TO WOOD OR METAL STUD

SHEET: 1 OF 2



INSTALLATION WITH STUD



Made in USA



Catalog Number	Box Depth	Conduit Size
CTS812	1-1/2"	1/2" or 3/4" EMT MC/AC

NOTE:

- STS8 low profile screws recommended for installation.
- For positioning only
- For wet or dry applications.

Revision: 2



Call ZSi-Foster at
(800) 323-7053
or order now at
ZSi-Foster.com

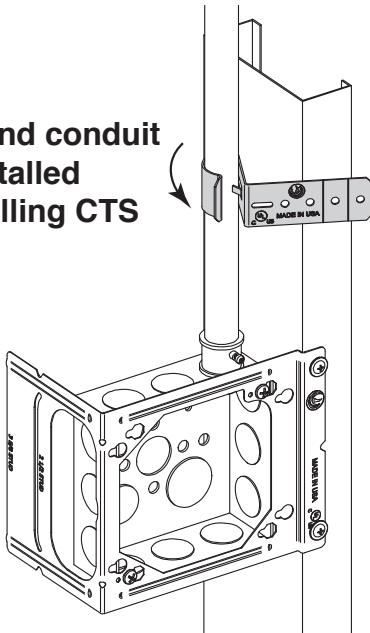
CUSTOMER RESPONSIBILITIES: At a minimum the customer(s) is responsible for using industry standard hardware and fasteners, inspecting the structural integrity of the structure to which ZSi-Foster products will be attached, conforming to all governing codes and regulations at the job site and following all safety precautions related to the work being performed.

WARNING: ZSi-Foster products must never be used for purposes other than those for which they were designed or in any way that exceeds published load ratings. All load ratings are for static conditions and do not account for dynamic loading such as wind, water or seismic loads. ZSi-Foster products must be installed and used only as indicated in ZSi-Foster installation and instruction sheets. Improper installation, misuse, misapplication or any other failure to completely follow ZSi-Foster's instructions could lead to decreased load rating, product failure, property damage, injury or even death.

STEP 1:

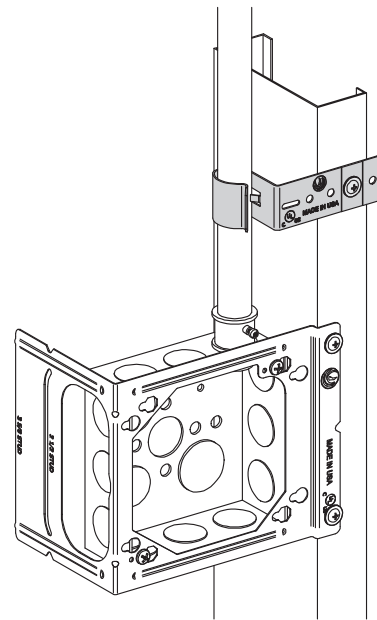
Snap clip on conduit.
Rotate clip flush to stud.

Note: Box and conduit
must be installed
before installing CTS
clip(s).



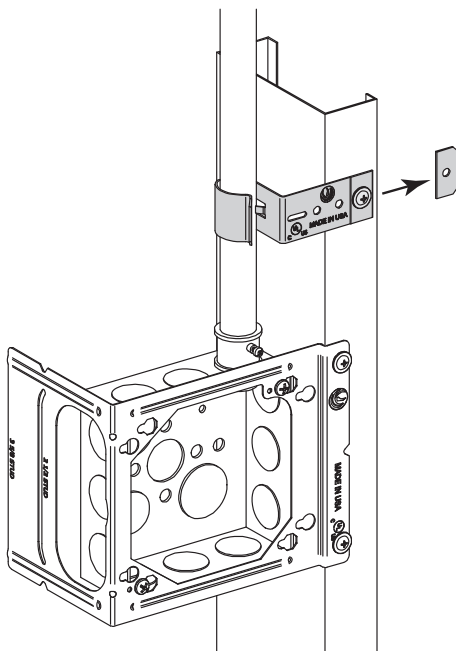
STEP 2:

Screw clip to stud
using STS8 screws.



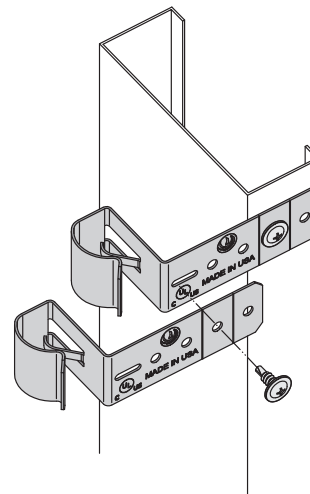
OPTIONAL:

Separate tail of clip
using pliers.



NOTE TO INSTALLERS:

Installers can screw up to two
CTS clips together for multiple
conduit support.



Call ZSi-Foster at (800) 323-7053 or order now at ZSi-Foster.com