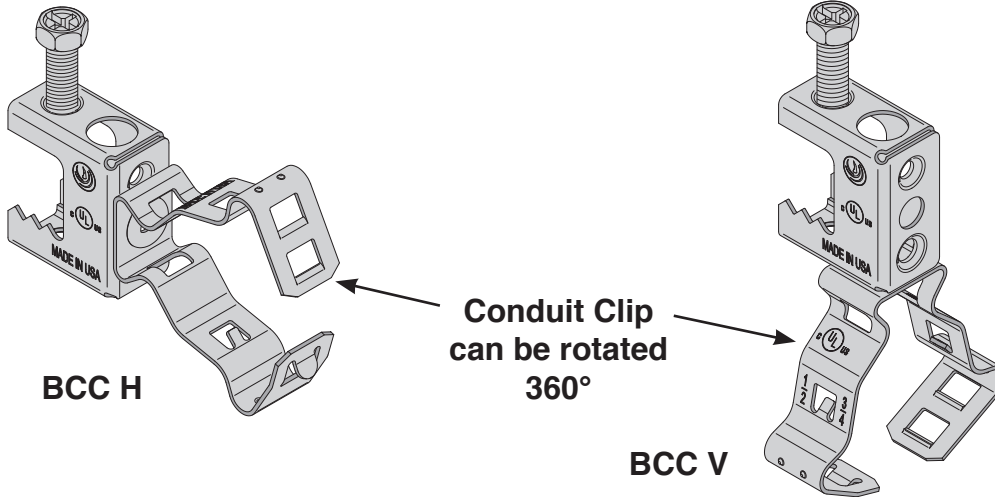


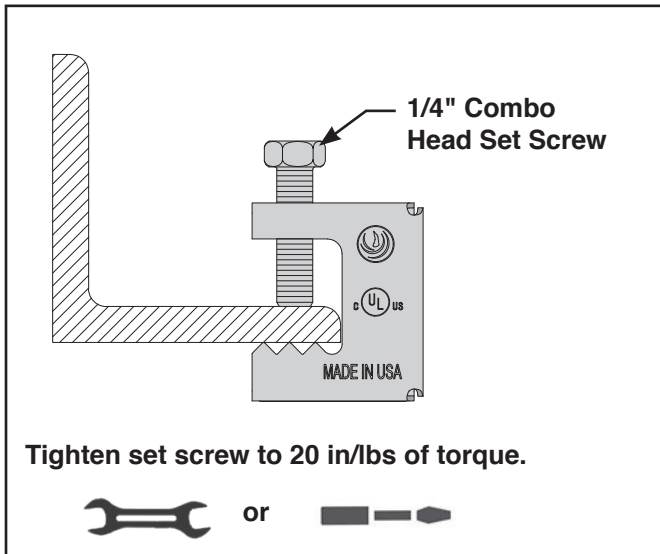
# Installation and Instruction Sheets

## BCC - BEAM CLAMP WITH CONDUIT CLIP

SHEET: 1 OF 2



### INSTALLATION



Catalog Number	Conduit Size
<a href="#">BCC812HM</a>	1/2" EMT, IMC, Rigid 3/4" EMT, IMC, Rigid
<a href="#">BCC16HM</a>	1" EMT, Rigid
<a href="#">BCC20HM</a>	1-1/4" EMT, Rigid
<a href="#">BCC24HM</a>	1-1/2" EMT, Rigid
<a href="#">BCC32HM</a>	2" EMT, Rigid
<a href="#">BCC812VM</a>	1/2" EMT, IMC, Rigid 3/4" EMT, IMC, Rigid
<a href="#">BCC16VM</a>	1" EMT, Rigid
<a href="#">BCC20CM</a>	1-1/4" EMT, Rigid
<a href="#">BCC24VM</a>	1-1/2" EMT, Rigid
<a href="#">BCC32VM</a>	2" EMT, Rigid

#### Notes:

- For wet or dry applications.
- Maximum flange thickness is 1/2".
- See sheet 2 for common installation and load ratings.
- Conduit clips rotate 360°
- For support of conduit per NEC 344.30(B).



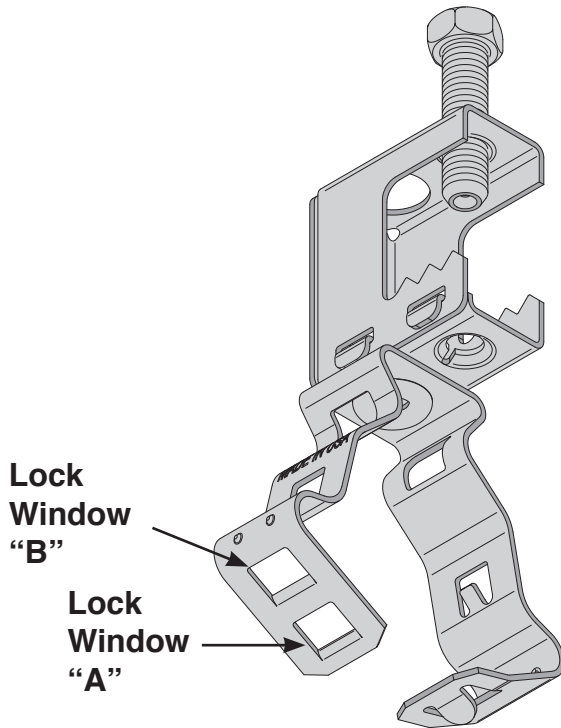
Call ZSi-Foster at  
**(800) 323-7053**  
or order now at  
[ZSi-Foster.com](http://ZSi-Foster.com)

Revision: 4

**CUSTOMER RESPONSIBILITIES:** At a minimum the customer(s) is responsible for using industry standard hardware and fasteners, inspecting the structural integrity of the structure to which ZSi-Foster products will be attached, conforming to all governing codes and regulations at the job site and following all safety precautions related to the work being performed.

**WARNING:** ZSi-Foster products must never be used for purposes other than those for which they were designed or in any way that exceeds published load ratings. All load ratings are for static conditions and do not account for dynamic loading such as wind, water or seismic loads. ZSi-Foster products must be installed and used only as indicated in ZSi-Foster installation and instruction sheets. Improper installation, misuse, misapplication or any other failure to completely follow ZSi-Foster's instructions could lead to decreased load rating, product failure, property damage, injury or even death.

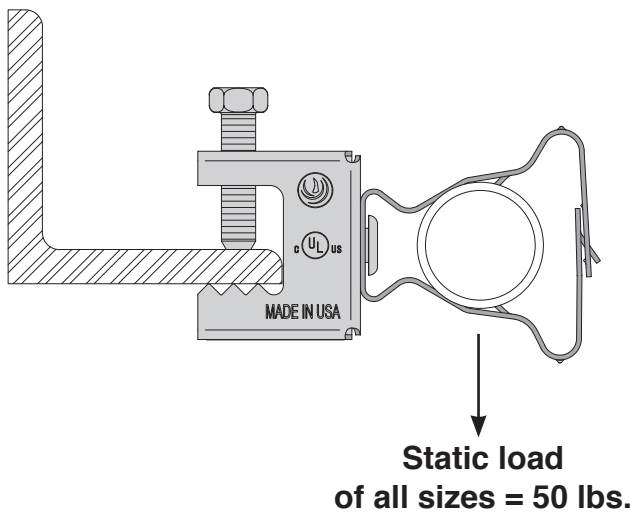
**Verify lock window from the chart.  
Lock with fingers or pliers.**



	Lock Window "A"	Lock Window "B"
Conduit Size	1/2" Rigid, 3/4" EMT, IMC, Rigid	1/2" EMT, IMC
	1" EMT, Rigid	N/A
	1-1/4" Rigid	1-1/4" EMT
	1-1/2" Rigid	1-1/2" EMT
	2" Rigid	2" EMT

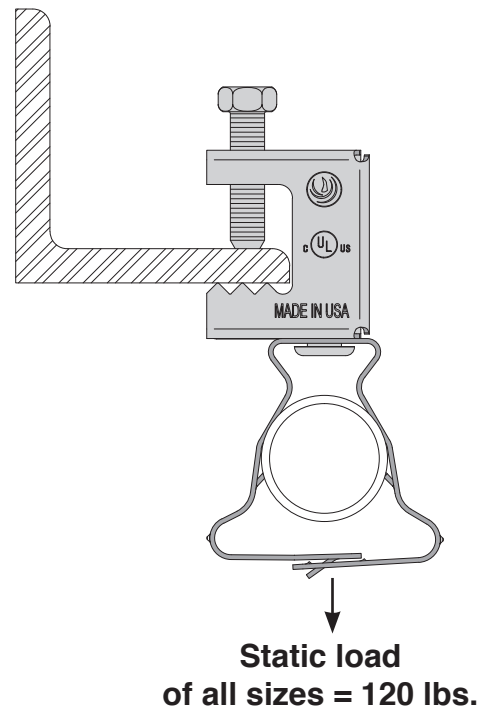
**BCC H:**

**Horizontal**



**BCC V:**

**Vertical**



Call ZSi-Foster at (800) 323-7053 or order now at [ZSi-Foster.com](http://ZSi-Foster.com)