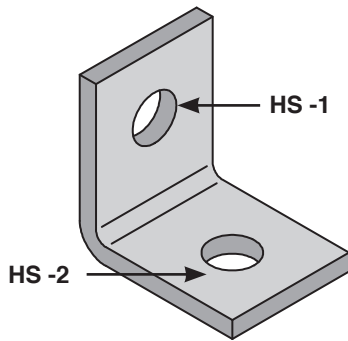


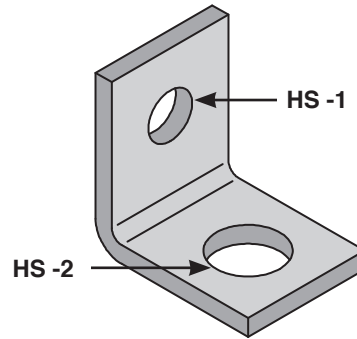
Installation and Instruction Sheets

AB - ANGLE BRACKET

SHEET: 1 OF 1

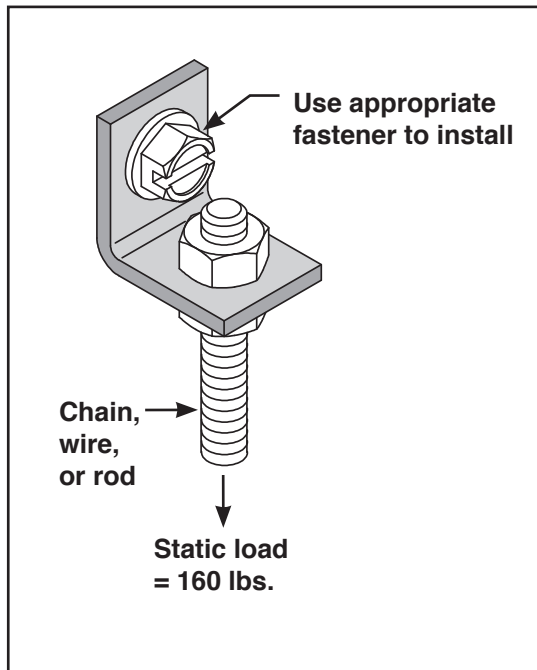


AB04



AB06

TYPICAL INSTALLATION



Catalog Number	HS - 1	HS - 2
AB04	9/32"	9/32"
AB06	9/32"	13/32"



Call ZSi-Foster at
(800) 323-7053
 or order now at
ZSi-Foster.com

Notes:

- For wet or dry applications.

Revision: 2

CUSTOMER RESPONSIBILITIES: At a minimum the customer(s) is responsible for using industry standard hardware and fasteners, inspecting the structural integrity of the structure to which ZSi-Foster products will be attached, conforming to all governing codes and regulations at the job site and following all safety precautions related to the work being performed.

WARNING: ZSi-Foster products must never be used for purposes other than those for which they were designed or in any way that exceeds published load ratings. All load ratings are for static conditions and do not account for dynamic loading such as wind, water or seismic loads. ZSi-Foster products must be installed and used only as indicated in ZSi-Foster installation and instruction sheets. Improper installation, misuse, misapplication or any other failure to completely follow ZSi-Foster's instructions could lead to decreased load rating, product failure, property damage, injury or even death.

Call ZSi-Foster at **(800) 323-7053** or order now at ZSi-Foster.com