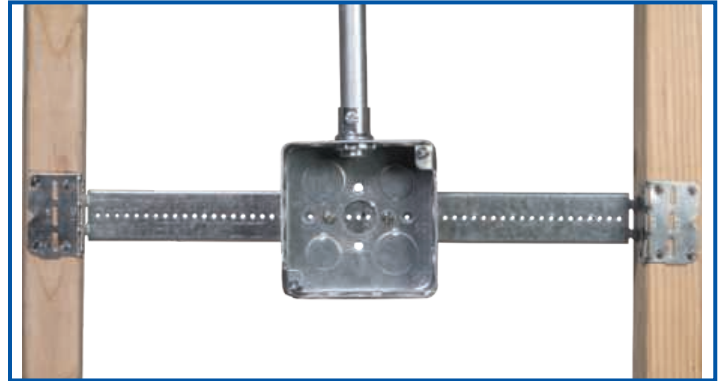
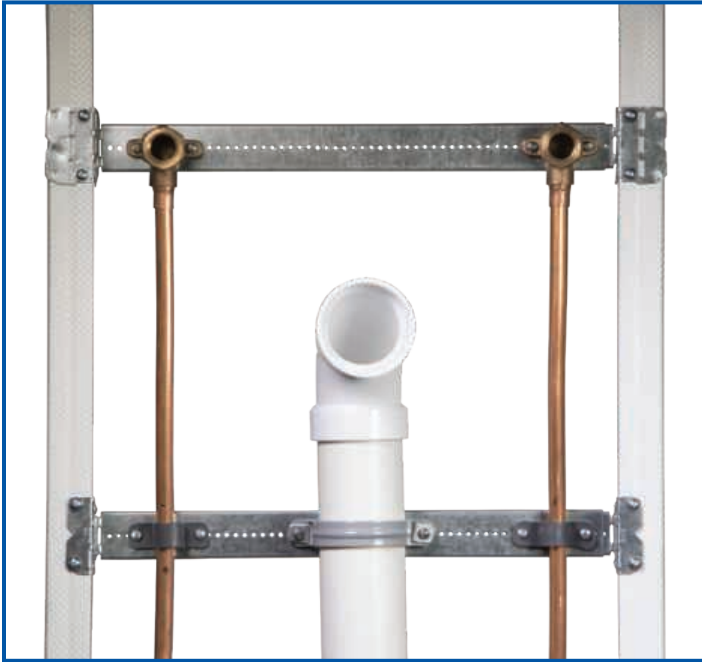




# Z-Bracket

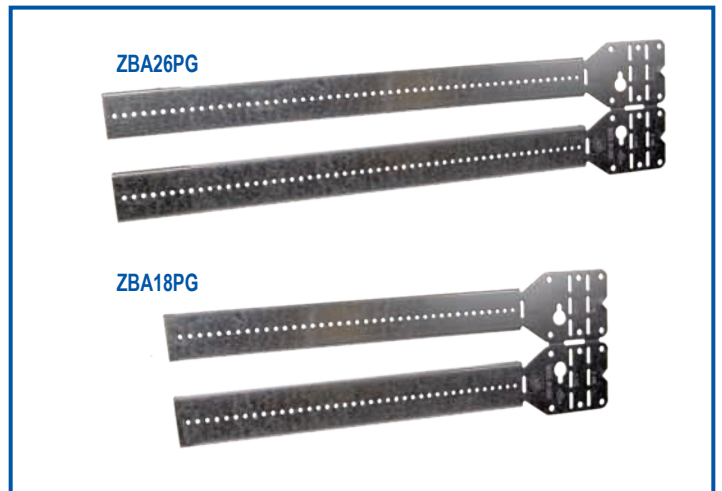
## Easy Width Adjustment



- Pre-galvanized Standard Finish
- Wet or Dry Applications
- 100% Manufactured in the USA

Catalog Number	Stud Centers	Distance Between Studs	Box Depth	Box Quantity
ZBA18PG	11" to 18"	9¾" to 16¾"	1½" or 2½"	20
ZBA26PG	16" to 26"	14" to 25¼"	1½" or 2½"	20

- U.S. UL Listed for Wood and Metal Studs
- UL Listed for Wood Studs in Canada
- Adjusts to Fit Common and Non-standard Stud Spacing



Call ZSi-Foster at (800) 323-7053 or order now at [zsi-foster.com](http://zsi-foster.com)

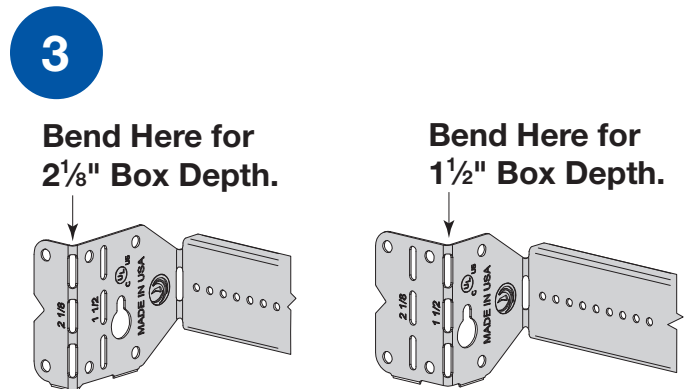
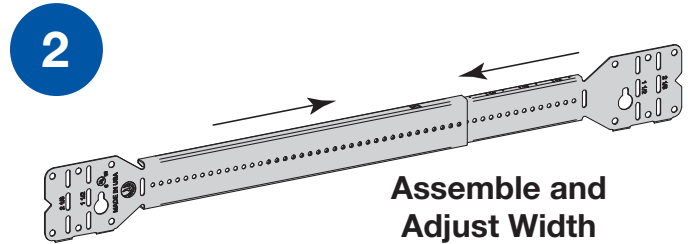
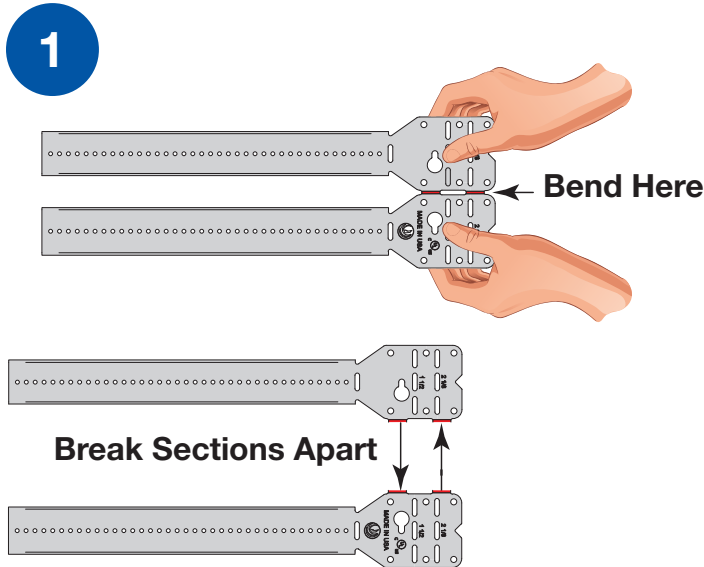
**ZSi-Foster**

Canton, MI | La Mirada, CA | Ocala, FL | Springfield, MO



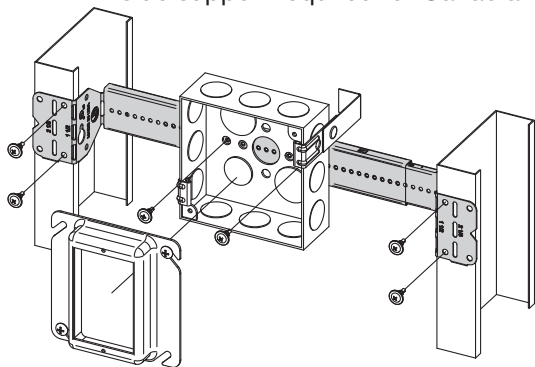
# Z-Bracket

## Easy Width Adjustment



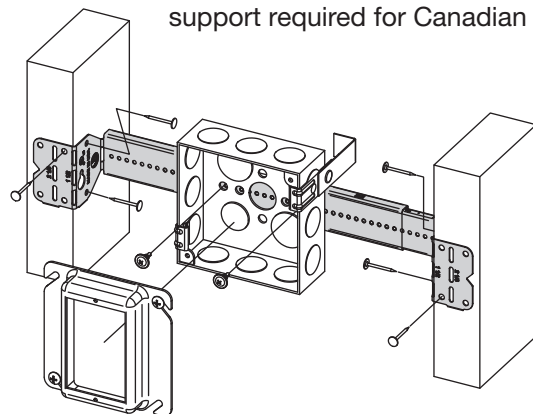
### METAL STUD INSTALLATION

Screw bracket to studs using STS8 screws. Position electrical box(es) or accessories on bracket and install with STS8 screws. Assemble box plaster ring(s). (far side support required for Canadian installations)



### WOOD STUD INSTALLATION

Nail bracket to wood studs. Position electrical box(es) or accessories on bracket and install with STS8 screws. Assemble box plaster ring(s). (far side support required for Canadian installations)



Call ZSi-Foster at (800) 323-7053 or order now at [zsi-foster.com](http://zsi-foster.com)

**ZSi-Foster** - Canton, MI | La Mirada, CA | Ocala, FL | Springfield, MO