



# T-Valve Series Plug Valve

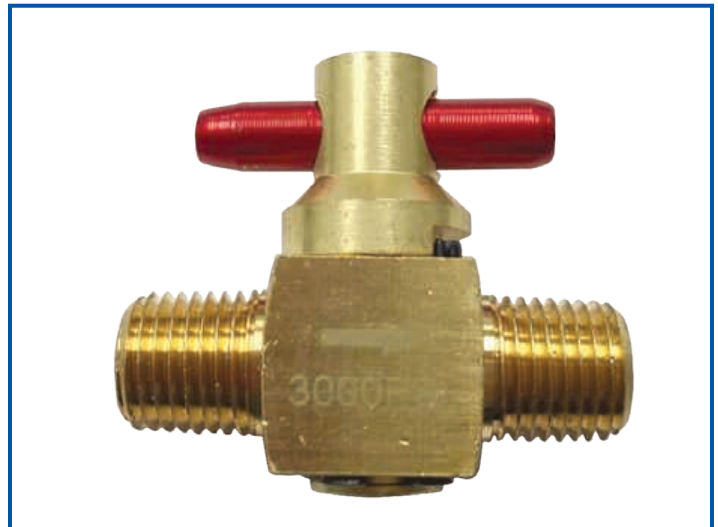


**Up to 3,000 psig Pressure Rating**



- Compact Size, Quarter Turn Valve
- Leakproof in Vacuum or Pressure Service
- Operating Temperatures: -40°F to 300°F
- Shut-Off or Course Regulation Valve

- Positive Position indication & Handle Stop
- Bleed Hole in the Plug Vents the Trapped Fluids
- No Packing to Adjust, O-Ring Seal to Atmosphere
- Rugged Anodized Handle



Call ZSi-Foster at (866) 918-3003 or order now at [ZSi-Foster.com](http://ZSi-Foster.com)




# T-Valve Series Plug Valve

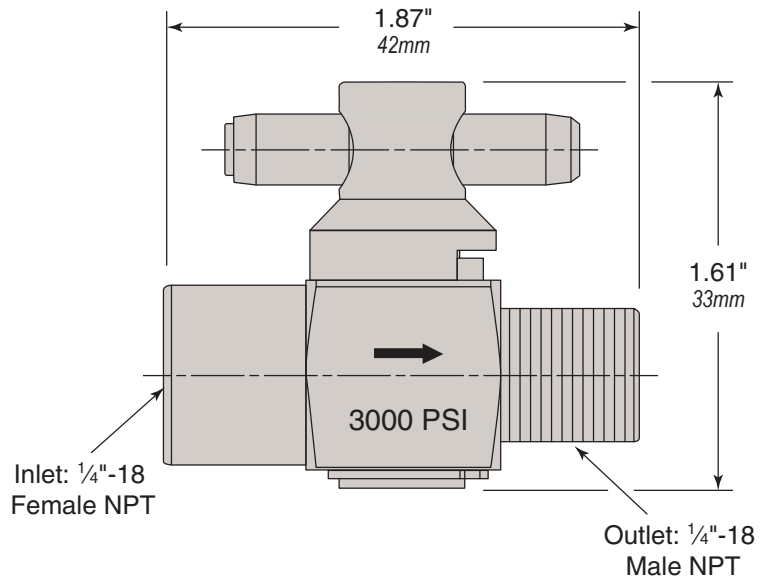


## Typical Applications Include:

- Specialized for Hydraulic, Petroleum and Chemical Plant Applications
- Commercial and General Industrial Applications
- Compressed Air Service

<b>Female x Male</b>		<b>T-Valve Part No.</b>	<b>NPT FxM</b>	<b>Description</b>
		B-7500-2	1/4"-18	Female x Male Quarter-Turn Valve Brass with EPDM Seal

<b>Male x Male</b>		<b>T-Valve Part No.</b>	<b>NPT MxM</b>	<b>Description</b>
		B-7500-2MXMV	1/4"-18	Male x Male Quarter-Turn Valve Brass with Viton Seal



Inlet: 1/4"-18 Female NPT

Outlet: 1/4"-18 Male NPT

**Part Number:** B-7500-2

**Inlet:** 1/4"-18 Female NPT

**Outlet:** 1/4"-18 Male NPT

**Body Material:** Brass

**Seat Material:** EPDM

**Rated Pressure:** 3,000 PSIG

**Flow:** 5 GPM (water at 100psig)

**Temperature:** -40° to +300°F

Call ZSi-Foster at (866) 918-3003 or order now at [ZSi-Foster.com](http://ZSi-Foster.com)