



# Snap-A-Box

## Snap in Raceway Electrical Box

### Quickly Attaches to Strut



- No Bolts or Channel Nuts Required
- Snaps Quickly and Easily Into Channel
- Internal Slot, Rounded Edges to Avoid Wire Damage
- Includes Duplex Cover Plate
- Includes #10-32 Tapped Hole for Grounding Strap
- Knock-out Holes for Conduit Attachment

### Solutions for Electrical Contractors



[www.ZSi-Foster.com](http://www.ZSi-Foster.com)

(800) 323-7053

**ZSi-Foster**

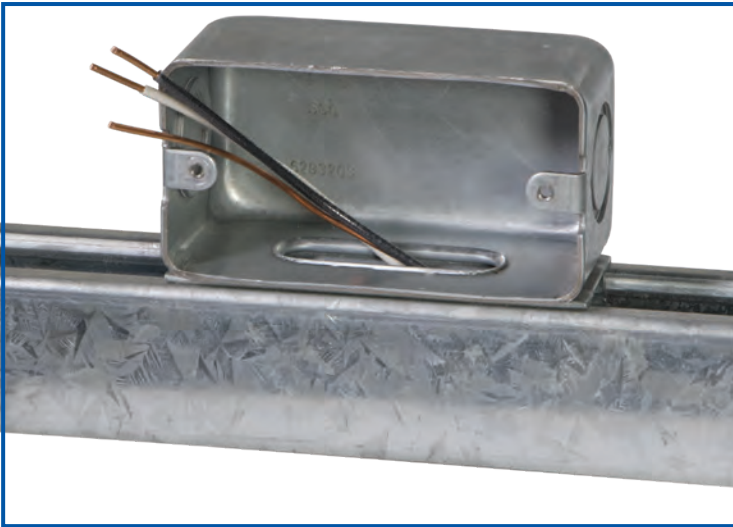
Springfield, MO | Canton, MI | La Mirada, CA



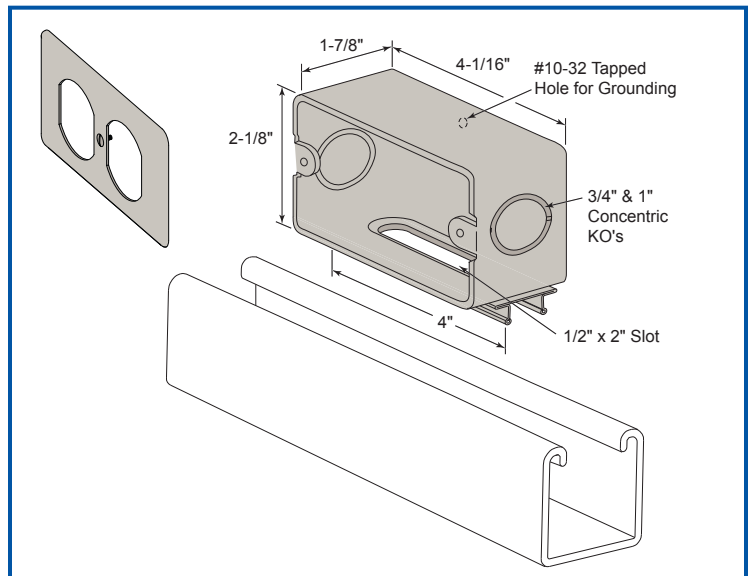
# Snap-A-Box

## Snap in Raceway Electrical Box

Electrical Contractors | General Contractors



- Requires Ground Wire Installation for Use with UL Listed Channel Raceway System
- Concentric Knock-Outs  $\frac{3}{4}$ " and 1"
- Electro-Galvanized Finish
- Weight/C 65 lbs (29.48 kg)



Call ZSi-Foster at (800) 323-7053  
or order now at [ZSi-Foster.com](http://ZSi-Foster.com)

**ZSi-Foster**

Springfield, MO | Canton, MI | La Mirada, CA