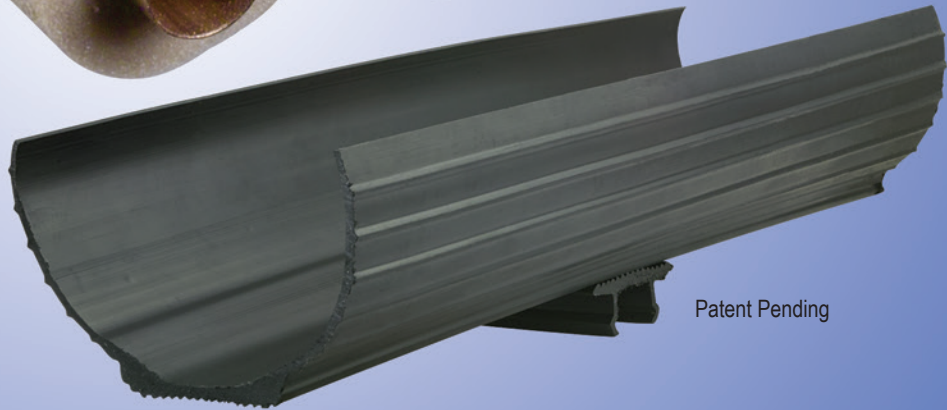




The SNAP-A-SADDLE™ provides an easy way to attach insulated pipes to support channel, with one step, tool-free installation.



Patent Pending

SNAP-A-SADDLE™

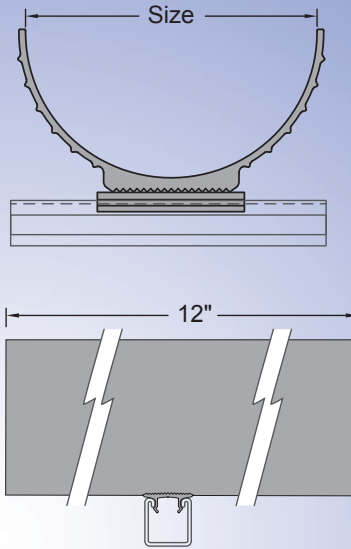
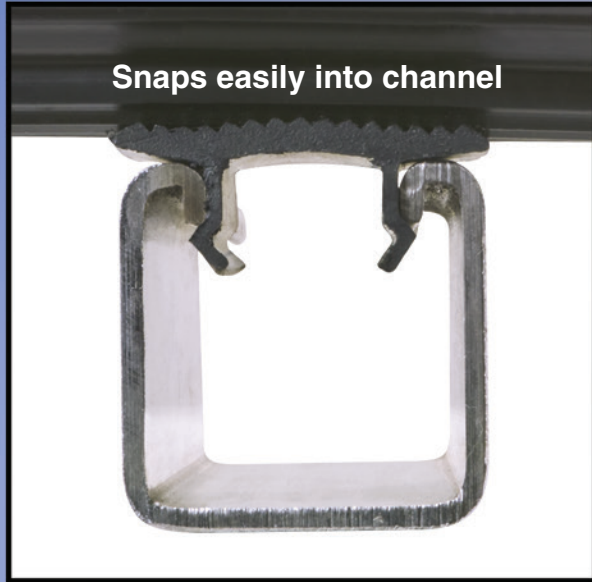
A BREAKTHROUGH
DEVELOPED BY INDUSTRY LEADER ZSI

www.zsi-foster.com



The SNAP-A-SADDLE™ provides an easy way to attach insulated pipes to support channel, with one step, tool-free installation.

- Temp Range: -50° to 275° F (-46° to 135° C)
- Available in both black and white
- UL94-HB1 Rated TPV Material
- Made in USA
- Easy Installation
- Standard 12" lengths. Special lengths available upon request



Part No.		Nominal Inside Size Opening
Black	White	
SB225	SW225	2¼
SB325	SW325	3¼
SB425	SW425	4¼
SB525	SW525	5¼
SB625	SW625	6¼
SB825	SW825	8⅝



Snap-A-Saddle Size Guide - Copper Tubing					
Tubing Size	Insulation Thickness				
	½"	¾"	1"	1½"	2"
¼	S*225	S*225	S*325	S*425	S*525
⅜					
½					
⅝					
¾					
1	S*325	S*425	S*525	S*625	S*825
1-¼					
1-½					
2	S*425	S*525	S*625	S*825	S*825
2-½					
3	S*525	S*625	S*825	S*825	S*825
3-½					
4	S*625	S*825	S*825	S*825	S*825

* Add "B" for Black or "W" for White

Snap-A-Saddle Size Guide - Schedule 40/80 Pipe					
Pipe Size	Insulation Thickness				
	½"	¾"	1"	1½"	2"
¼	S*225	S*225	S*325	S*425	S*525
⅜					
½					
¾					
1					
1-¼	S*325	S*425	S*525	S*625	S*825
1-½					
2	S*425	S*525	S*625	S*825	S*825
2-½					
3					
3-½	S*525	S*625	S*825	S*825	S*825
4					
	S*625	S*825	S*825	S*825	S*825

* Add "B" for Black or "W" for White

DISTRIBUTED BY:



ZSi-Foster

45065 Michigan Ave.
 Canton, MI 48188
 Tel: (734) 844-0055
 Tel: (800) 323-7053
 Fax: (734) 844-0066