



Snap-A-Box

Snap in Raceway Electrical Box

Quickly Attaches to Strut



- No Bolts or Channel Nuts Required
- Snaps Quickly and Easily Into Channel
- Internal Slot, Rounded Edges to Avoid Wire Damage
- Includes Duplex Cover Plate
- Includes #10-32 Tapped Hole for Grounding Strap
- Knock-out Holes for Conduit Attachment

Solutions for Electrical Contractors



www.ZSi-Foster.com

(800) 323-7053

ZSi-Foster

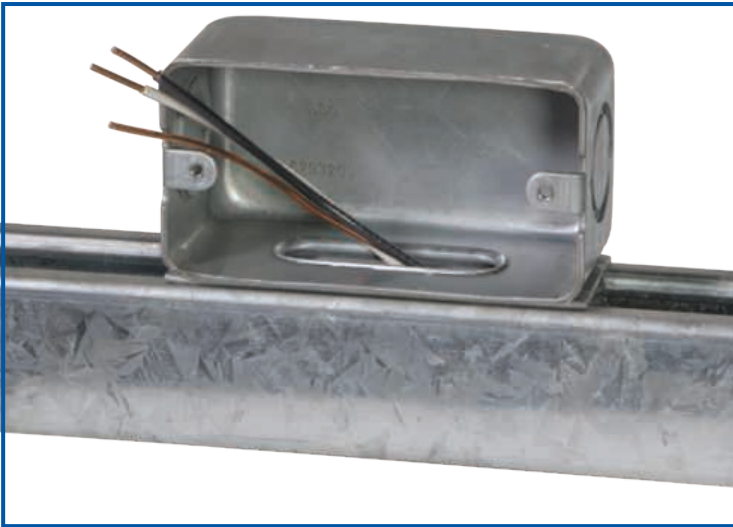
Springfield, MO | Canton, MI | La Mirada, CA



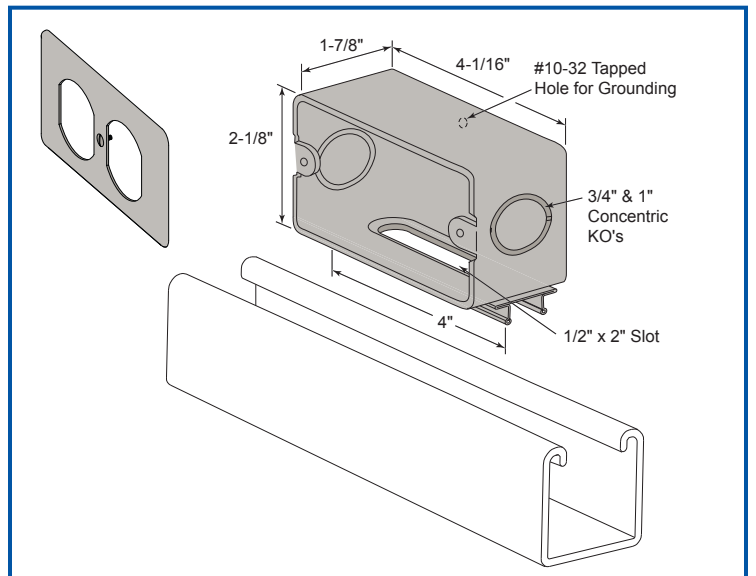
Snap-A-Box

Snap in Raceway Electrical Box

Electrical Contractors | General Contractors



- Requires Ground Wire Installation for Use with UL Listed Channel Raceway System
- Concentric Knock-Outs $\frac{3}{4}$ " and 1"
- Electro-Galvanized Finish
- Weight/C 65 lbs (29.48 kg)



Call ZSi-Foster at (800) 323-7053
or order now at ZSi-Foster.com

ZSi-Foster.com Canton, MI | La Mirada, CA | Ocala, FL | Springfield, MO