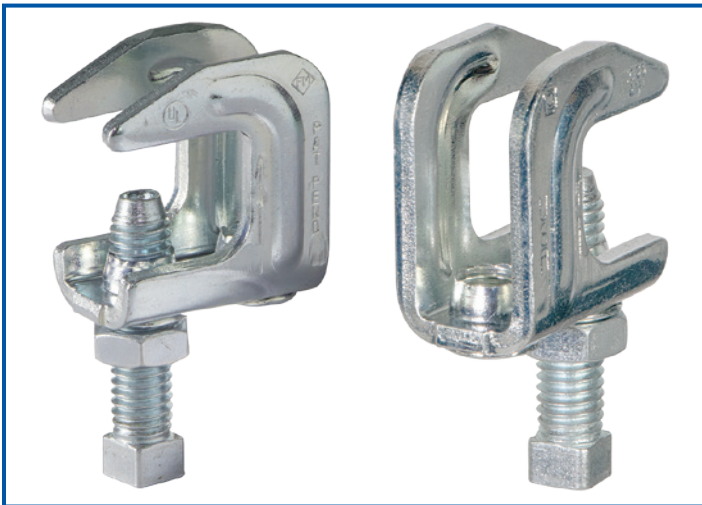




Silver Claw

Strong • Secure • Durable

Carbon Steel Beam Clamp Supports Up To 400 Pounds



- Carbon Steel - Avoids Hydrogen Embrittlement
- Extruded Rod Hole - More Threads Captured
- Made in USA - Meets Requirements for Buy America

- Handles $\frac{3}{8}$ " Threaded Rod
- Attaches to $\frac{3}{4}$ " Beam or Bar Joist
- Open Back for Easy Inspection and Adjustment



www.ZSi-Foster.com

(800) 323-7053

ZSi-Foster

Springfield, MO | Canton, MI | La Mirada, CA

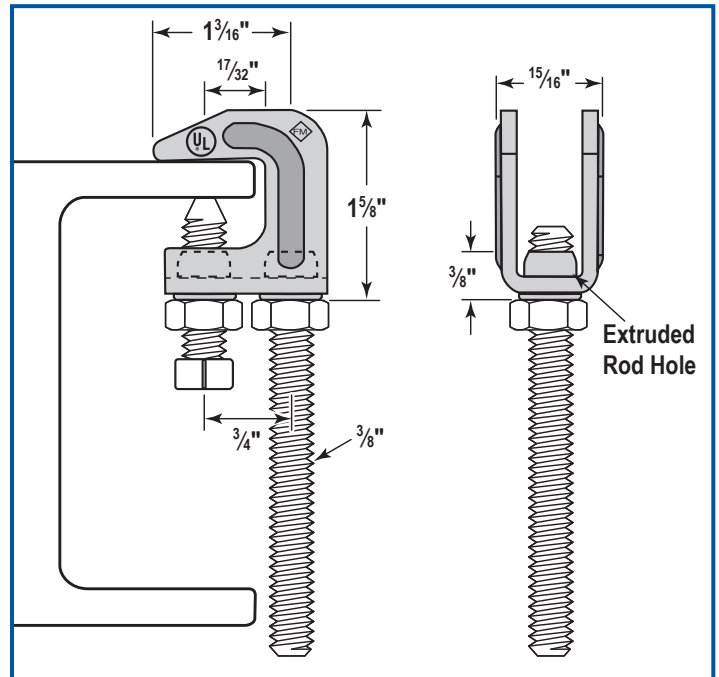


Silver Claw

Strong • Secure • Durable

Fire Protection Industry | Electrical Contractors
 Mechanical Contractors | HVAC/R Contractors | Plumbing Contractors

- 3/8" Rod Size
- 3/4" Flange Beam
- Zinc Electroplate
- Installs in Upright Position
- Torque Value = 60 in-lbs
- Made in USA
- UL Listed for Top of Beam
- FM Approved for NFPA 13, Maximum Rated Pipe Size
- Complies with Manufacturers Standardization Society SP-69 (Type 19 & 23) and Federal Specification WW-H-171E



Catalog Number	Rod Size	Max. Load
SCL037EG	3/8"	400 Lbs.



Call ZSi-Foster at (800) 323-7053
 or order now at ZSi-Foster.com

ZSi-Foster

Springfield, MO | Canton, MI | La Mirada, CA