



Cush-A-Block[®] Rooftop Support System

75% Faster Strut Install and Change-Out



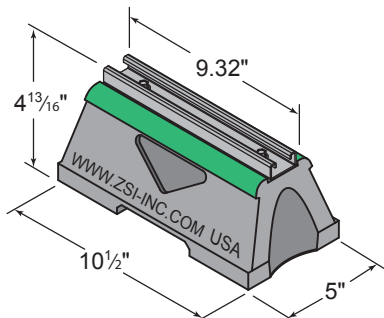
- 100% Recycled Rubber Qualifies for LEED Credits
- Meets the Buy America Act and ARRA
- Resistant to Freeze and Thaw

- Dampens Vibrations
- Compatible with Most Rooftop Materials
- Eco-Green Reflective Safety Strip Won't Peel or Flake

Cush-A-Block is manufactured under U.S. patent D824749 and one pending, and Canadian patents #175942 and one pending

CUSH-A-BLOCK - CBN SERIES

SUPPORT WITH METAL CHANNEL



Strut lengths up to 46.82".
Custom lengths are available upon request

Part No.	No. of Bases	Height	Strut Length	Total Length	Weight (Lbs)	Uniform Load Capacity (Lbs) *
CBN-Support With 13/16" Pre-Galv. Steel Channel						
CBN1S	1	4-13/16"	9.32"	10-1/2"	4.0	2,500 *
CBN2S	2		22.82"	24"	8.4	5,000 *
CBN3S	3		34.82"	36"	12.6	7,500 *
CBN4S	4		46.82"	48"	16.9	10,000 *
CBN-Support With 1-5/8" Pre-Galv. Steel Channel						
CBN1D	1	5-5/8"	9.32"	10-1/2"	4.7	2,500 *
CBN2D	2		22.82"	24"	9.9	5,000 *
CBN3D	3		34.82"	36"	15.0	7,500 *
CBN4D	4		46.82"	48"	20.0	10,000 *
CBN Support With 2-7/16" Pre-Galv. Steel Channel						
CBN1RD	1	6-7/16"	9.32"	10-1/2"	5.1	2,500 *
CBN2RD	2		22.82"	24"	10.9	5,000 *
CBN3RD	3		34.82"	36"	16.6	7,500 *
CBN4RD	4		46.82"	48"	22.2	10,000 *
* This load is only for the capacity of the components in this assembly. Please consult roofing manufacturer or engineer for roof load capacity.						

Solar Racking | Pipe & Conduit | HVAC | Rooftop Walkways

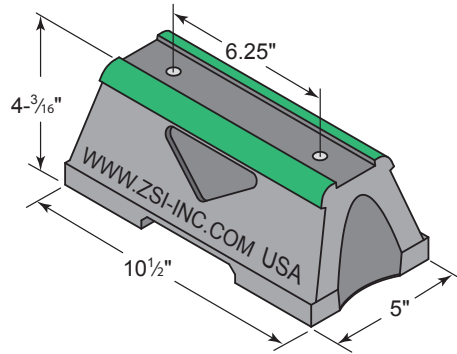
Call ZSi-Foster at **(800) 323-7053** or order now at ZSi-Foster.com



Cush-A-Block[®] Rooftop Support System

CUSH-A-BLOCK - CBN SERIES

PLAIN BASE

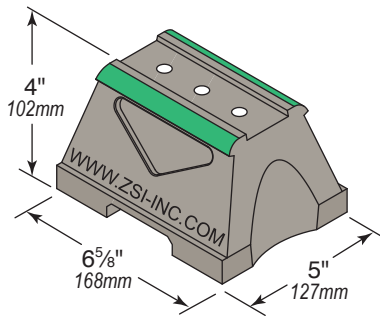


CBN-Base Series		
Part No.	Weight	Uniform Load Capacity (Lbs) *
CBN	3.2 lbs.	2,500 *

* This load is only for the capacity of the components in this assembly. Please consult roofing manufacturer or engineer for roof load capacity.

CUSH-A-BLOCK MINI - CBM SERIES

PLAIN BASE

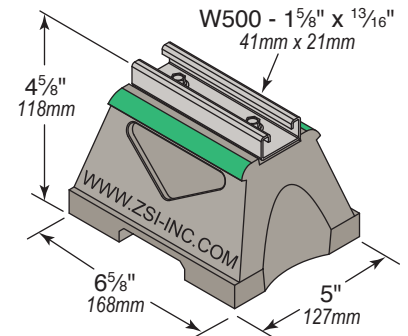


Part No.	Weight	Uniform Load Capacity (Lbs) *
CBM	1.0 lbs. (0.45 Kg)	400 (11.78 kN)

* This load is only for the capacity of the components in this assembly. Please consult roofing manufacturer or engineer for roof load capacity.

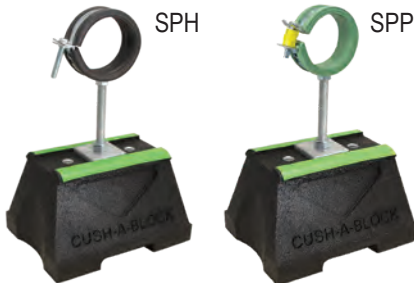
CUSH-A-BLOCK MINI - CBM SERIES

SUPPORT WITH METAL CHANNEL



CUSH-A-BLOCK MINI WITH RAISED CUSH-A-RING

Support With Raised SPH
Cush-A-Ring Clamp for
Copper Tube or Steel Tube
or Pipe



Support With Raised SPP
Cush-A-Ring Clamp for
PEX, CPVC, or PVC Pipe

Part No.	Weight (Lbs)	Uniform Load Capacity (Lbs) *
CBM-Support With 1 3/16" Pre-Galv. Steel Channel		
CBM1S	2.11 (0.96Kg)	400 (11.78 kN)
CBM-Support With 1-5/8" Pre-Galv. Steel Channel		
CBM1D	2.14 (0.97Kg)	400 (11.78 kN)

* This load is only for the capacity of the components in this assembly. Please consult roofing manufacturer or engineer for roof load capacity.

Call ZSi-Foster at (800) 323-7053 or order now at ZSi-Foster.com

ZSi-Foster

Springfield, MO | Canton, MI | La Mirada, CA