



# ZSI

**Manufacturers of Cushioned  
Clamping, Support Systems,  
& Quick Disconnects**

## PORCE-A-CLAMP™

**REPLACES PORCELAIN  
"NO MORE BREAKAGE!"**

**REPLACES MAPLE CLAMP  
"NO MORE DRY ROT!"**

### PORCE-A-CLAMP™

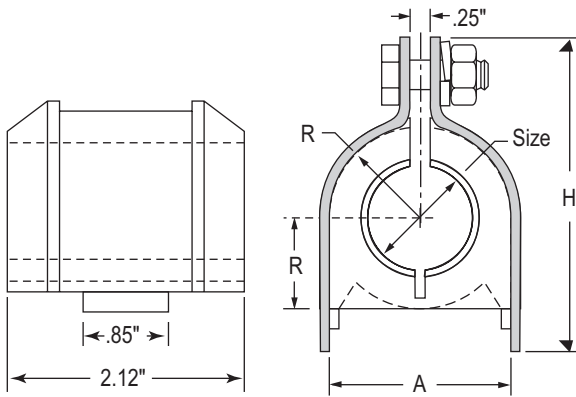


Porce-a-Clamp features an easy to use one piece insulator made from Sarlink 4339D, a flame retardant, high hardness grade TPE polymer that is U.L. Listed. The tapered flange of the insulator insures complete isolation and protection of the cable. Options include a Stainless Steel Clamp and hardware or an Electro Galvanized Clamp with Everdur nut and bolt. In addition to ending breakage and dry rot, other features include:

- Short lead time
- Cost less than porcelain
- Doesn't rot like maple
- Non-breakable TPE material
- Exceptional chemical resistance
- Dielectric strength of 640 Volts per mil
- Stainless Steel Clamps per 304 or 316
- Electro Galvanized Steel Clamps with Everdur Nut & Bolt
- Flame retardant U.L. Listed TPE insulator
- Excellent UV resistance
- Available for cable sizes from 3/8" to 4-1/2"
- Significantly lighter weight than porcelain.

# ZSI

[www.zsi-inc.com](http://www.zsi-inc.com)



Replaces Porcelain and Maple Cable Clamp. Assembly consists of thermoplastic elastomer cushion with plated or stainless steel clamp. Plated steel and stainless are both supplied with Silicon Bronze bolt and nut.

- Non-breakable material
- Chemical and UV resistant
- **U.L. Listed** - Burning stops within 10 seconds after two applications of ten seconds each of a flame to a test bar with no flaming drips.
- Plated Steel, or Stainless steel clamps
- Tapered flange to protect cable
- Dielectric strength 640 volts per mil
- One piece cushion design, available with Flame retardant / Halogen Free cushions
- Silicon Bronze Hardware used to Breakup the Magnetic field around the Cable at the Clamping Location.

DISTRIBUTED BY:

Part No.	Dimensions (Inches)			Total Assy. Height H	Weight per 100 pieces	Pieces per Carton
	Size/ Hole Dia.	A	R			
006CC018	3/8	1.12	0.56	1.82	25	10
008CC018	1/2	1.12	0.56	1.82	25	10
010CC018	5/8	1.12	0.56	1.82	25	10
012CC026	3/4	1.62	0.81	2.34	37	10
014CC026	7/8	1.62	0.81	2.34	37	10
016CC026	1	1.62	0.81	2.34	37	10
018CC026	1-1/8	1.62	0.81	2.34	37	10
020CC034	1-1/4	2.12	1.06	2.86	58	10
022CC034	1-3/8	2.12	1.06	2.86	58	10
024CC034	1-1/2	2.12	1.06	2.86	58	10
026CC034	1-5/8	2.12	1.06	2.86	58	10
028CC042	1-3/4	2.62	1.31	3.50	76	10
030CC042	1-7/8	2.62	1.31	3.50	76	10
032CC042	2	2.62	1.31	3.50	76	10
034CC042	2-1/8	2.62	1.31	3.50	76	5
036CC050	2-1/4	3.12	1.56	4.05	90	5
038CC050	2-3/8	3.12	1.56	4.05	90	5
040CC050	2-1/2	3.12	1.56	4.05	90	5
042CC050	2-5/8	3.12	1.56	4.05	90	5
044CC058	2-3/4	3.62	1.81	4.75	109	5
046CC058	2-7/8	3.62	1.81	4.75	109	5
048CC058	3	3.62	1.81	4.75	109	5
050CC058	3-1/8	3.62	1.81	4.75	109	5
052CC066	3-1/4	4.12	2.06	5.125	130	5
054CC066	3-3/8	4.12	2.06	5.125	130	5
056CC066	3-1/2	4.12	2.06	5.125	130	5
058CC066	3-5/8	4.12	2.06	5.125	130	5
060CC074	3-3/4	4.62	2.31	5.54	160	5
062CC074	3-7/8	4.62	2.31	5.54	160	5
064CC074	4	4.62	2.31	5.54	160	5
066CC074	4-1/8	4.62	2.31	5.54	160	5
068CC080	4-1/4	5.00	2.50	5.92	160	5
070CC080	4-3/8	5.00	2.50	5.92	160	5
072CC080	4-1/2	5.00	2.50	5.92	160	5
 SUFFIX	Note: All clamps have Silicon Bronze Hardware					
		Clamp	Cushion			Example
	Z	Plated Steel	 Flame Retardant			006CC018Z
	S	Stainless Steel				006CC018S
	ZH	Plated Steel	 Flame Retardant Halogen Free			006CC018ZH
SH	Stainless Steel	006CC018SH				