



One Bolt Electrical Pipe Clamp

Saves Time / Reduces Labor Costs



- One Complete Unit – No Loose Components
- Hooks Quickly and Easily into Channel
- Beveled Edges Prevent Pipe Damage when Tightened

- Electro-Galvanized Finish
- Compatible with Phillips & Flat Head Screwdrivers
- Electrical Conduit Applications



www.ZSi-Foster.com

(800) 323-7053

ZSi-Foster

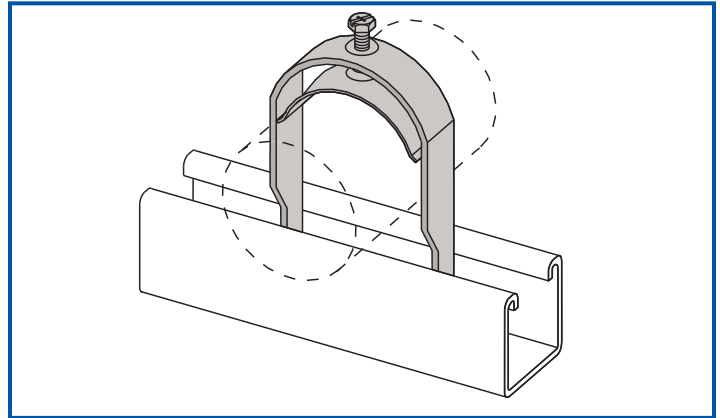
Springfield, MO | Canton, MI | La Mirada, CA



One Bolt Electrical Pipe Clamp

Electrical Contractors | Fire Protection Industry
 Mechanical Contractors | HVAC/R Contractors | Plumbing Contractors

Part No.	O. D. Size	Box Qty.	Wt. Lbs/C
BMU050	1/2" (13mm)	100	0.11 (0.05 kg)
BMU075	3/4" (19mm)	100	0.12 (0.05 kg)
BMU100	1" (25mm)	100	0.14 (0.06 kg)
BMU125	1-1/4" (32mm)	50	0.16 (0.07 kg)
BMU150	1-1/2" (38mm)	50	0.17 (0.08 kg)
BMU200	2" (51mm)	50	0.22 (0.10 kg)
BMU250	2-1/2" (64mm)	50	0.35 (0.16 kg)
BMU300	3" (76mm)	25	0.4 (0.18 kg)
BMU350	3-1/2" (89mm)	25	0.45 (0.20 kg)
BMU400	4" (102mm)	25	0.5 (0.23 kg)



Solutions for Electrical Contractors



Call ZSi-Foster at (800) 323-7053
 or order now at ZSi-Foster.com

ZSi-Foster - Canton, MI | La Mirada, CA | Ocala, FL | Springfield, MO