

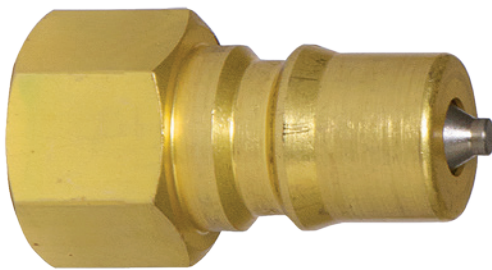


# CARPET CLEANING ISO-B SOCKET AND PLUG

Newly designed to exacting standards, our latest Carpet Cleaning ISO-B quick disconnect has demonstrated it can meet any carpet cleaning need. The Breco Quick Disconnect includes a redesigned valve and internal components, specifically engineered to offer strong airflow, high PSI and efficient performance. Field tested and subjected to rigorous cleaning applications, it has been proven to perform under pressure without leaking or failing. It is ideal for carpet cleaning equipment, car washes, pressure washers and water based hydraulic applications.

“We really like the new design of the Breco Quick Disconnect. It’s easy to use and meets the needs of our applications. It’s compatible with other products, and just a great value. The service and support provided by the ZSi-Foster team gives us confidence that they will be there to help us. We will continue to buy from ZSi-Foster.”

**Larry Withall, Cleansales**



DS2F2-BI - CARPET CLEANING ISO-B PLUG



2DSF2-BI - CARPET CLEANING ISO-B SOCKET

To get yours today, please visit [www.ZSi-Foster.com](http://www.ZSi-Foster.com), call us Toll Free: 866-918-3003 or contact your sales manager.

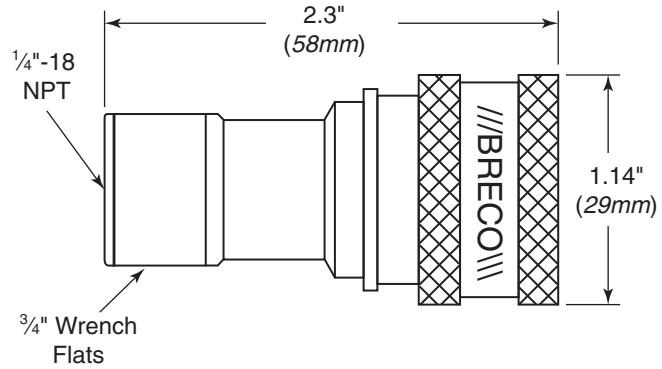
**Connected.Simply**

**[www.ZSi-Foster.com](http://www.ZSi-Foster.com)**

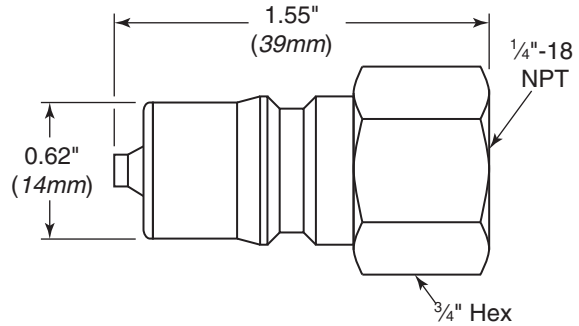


Connected.Simply

# Carpet Cleaning Plug & Socket (ISO-B)



**2DSF2-BI - CARPET CLEANING ISO-B SOCKET**



**DS2F2-BI - CARPET CLEANING ISO-B PLUG**

**Series:** Carpet Cleaning (ISO-B)

**Maximum PSI:** 2700 psi (186 bar)

**Vacuum:** 27" Hg

**Seal Material:** EPDM

**Temperature:**

-40° to 300°F (-40° to 150°C)

**Features:** Stainless Steel Internals

**Oil Flow (GPM) per MIL-H5606-125°F:**

3.6 @ 10psig drop

**Air Flow (CFM) at 100psig:**

32 @ 10psig drop

22 @ 5psig drop

**Air Flow (CFM) at 80psig:**

29 @ 10psig drop

20 @ 5psig drop

Part No.	Description	Size	Thread	Material
2DSF2-BI	Socket	1/4	FPT	Brass
DS2F2-BI	Plug	1/4	FPT	Brass

DISTRIBUTED BY:



**ZSi-Foster**

2324 W. Battlefield Rd.

Springfield, MO 65807

Ph: 417-881-6600

Toll Free: 866-918-3003

Fax: 417-881-3645

[www.ZSi-Foster.com](http://www.ZSi-Foster.com)