



Alpha Series™ Extreme Temp Cushioned U-Bolt

Widest Temperature Range on the Market



- Vibration Dampening
- Prevents Knife Edge Loading
- Secures Pipe or Tube to Any Flat Surface
- -65°F to 340°F
-53°C to 170°C

- Electro-Galvanized or 316 Stainless Steel
- UV Resistant for Outdoor Use
- Prevents Galvanic Corrosion
- Made in USA



www.ZSi-Foster.com

(800) 323-7053

ZSi-Foster

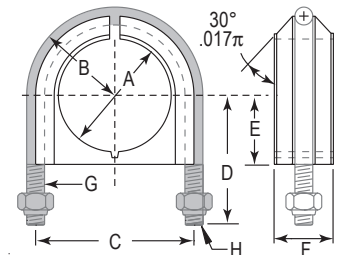
Canton, MI | La Mirada, CA | Ocala, FL | Springfield, MO



Alpha Series™ Extreme Temp Cushioned U-Bolt

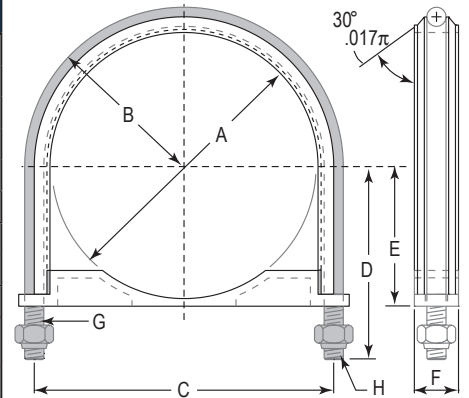
Plumbing Contractors | Ship Builders | Commercial Contractors | Manufacturing

Assembly Part No.		Pipe Size (Nom.)	Dimensions (Inches)								Design Load	Slip Thru
Standard Black	Extreme Blue		A Dia.	B Radius	C	D	E	F	G	H		
UB1/2PA	HTUB1/2PA	1/2"	0.840	0.80	1.60	1.50	0.67	0.68	1/4	1/4-20 UNC-2B	485	500
UB3/4PA	HTUB3/4PA	3/4"	1.05	0.90	1.80	1.60	0.78	0.68	1/4	1/4-20 UNC-2B	485	500
UB1PA	HTUB1PA	1"	1.31	1.02	2.05	1.70	0.91	0.68	1/4	1/4-20 UNC-2B	485	500
UB1-1/4PA	HTUB1-1/4PA	1-1/4"	1.66	1.27	2.55	2.10	1.08	1.24	3/8	3/8-16 UNC-2B	1,220	500
UB1-1/2PA	HTUB1-1/2PA	1-1/2"	1.90	1.40	2.80	2.20	1.19	1.24	3/8	3/8-16 UNC-2B	1,220	500
UB2PA	HTUB2PA	2"	2.37	1.67	3.35	2.50	1.45	1.24	3/8	3/8-16 UNC-2B	1,220	500
UB2-1/2PA	HTUB2-1/2PA	2-1/2"	2.87	1.95	3.90	3.00	1.69	1.24	1/2	1/2-13 UNC-2B	2,260	500
UB3PA	HTUB3PA	3"	3.50	2.27	4.55	3.30	2.00	1.24	1/2	1/2-13 UNC-2B	2,260	500
UB3-1/2PA	HTUB3-1/2PA	3-1/2"	4.00	2.52	5.05	3.70	2.25	1.24	1/2	1/2-13 UNC-2B	2,260	500
UB4PA	HTUB4PA	4"	4.50	2.50	5.50	3.90	2.50	1.24	1/2	1/2-13 UNC-2B	2,260	500
UB5PA	HTUB5PA	5"	5.56	3.25	6.56	4.50	3.03	1.24	1/2	1/2-13 UNC-2B	2,260	500
UB6PA	HTUB6PA	6"	6.62	3.87	7.75	5.40	3.56	1.44	5/8	5/8-11 UNC-2B	3,620	500
UB8PA	HTUB8PA	8"	8.62	4.85	9.82	6.40	4.56	1.44	5/8	5/8-11 UNC-2B	3,620	500
UB10PA	HTUB10PA	10"	10.75	6.08	12.16	7.70	5.68	1.65	3/4	3/4-10 UNC-2B	5,420	500
UB12PA	HTUB12PA	12"	12.75	7.13	14.25	8.70	6.68	1.65	3/4	3/4-10 UNC-2B	5,420	500



1/2" thru 6" assembly.

Assembly Part No.		Tube Size (O.D.)	Dimensions (Inches)								Design Load	Slip Thru
Standard Black	Extreme Blue		A Dia.	B Radius	C	D	E	F	G	H		
UB7/8TA	HTUB7/8TA	7/8"	0.875	0.80	1.60	1.50	0.67	0.68	1/4	1/4-20 UNC-2B	485	500
UB1TA	HTUB1TA	1"	1.00	0.90	1.80	1.60	0.78	0.68	1/4	1/4-20 UNC-2B	485	500
UB11/4TA	HTUB1-1/4TA	1-1/4"	1.25	1.02	2.05	1.70	0.91	0.68	1/4	1/4-20 UNC-2B	485	500
UB13/8TA	HTUB1-3/8TA	1-3/8"	1.375	1.02	2.05	1.70	0.91	0.68	1/4	1/4-20 UNC-2B	485	500
UB2TA	HTUB2TA	2"	2.00	1.40	2.80	2.20	1.19	1.24	3/8	3/8-16 UNC-2B	1,220	500
UB3TA	HTUB3TA	3"	3.00	1.95	3.90	3.00	1.69	1.24	1/2	1/2-13 UNC-2B	2,260	500
UB4TA	HTUB4TA	4"	4.00	2.52	5.05	3.70	2.25	1.24	1/2	1/2-13 UNC-2B	2,260	500
UB5TA	HTUB5TA	5"	5.00	3.25	6.56	4.50	3.03	1.24	1/2	1/2-13 UNC-2B	2,260	500
UB6TA	HTUB6TA	6"	6.00	3.87	7.75	5.40	3.56	1.44	5/8	5/8-11 UNC-2B	3,620	500



8" thru 12" assembly – Two piece cushion design

SUFFIX	Clamp	Cushion	Example
NONE	Electro-galvanized	High Temp Thermoplastic elastomer	HTUB1/2PA
6	Stainless Steel, Type 316	High Temp Thermoplastic elastomer	HTUB1/2PA6

Call ZSi-Foster at (800) 323-7053
or order now at ZSi-Foster.com

ZSi-Foster - Canton, MI | La Mirada, CA | Ocala, FL | Springfield, MO