



The AIRSTRIP™ is designed to dampen the noise and vibration that can occur between piping or duct work and the supporting channel. Made from 64 durometer Santoprene, the AIRSTRIP™ is light weight, dependable, and long-lasting.



# AIRSTRIP™

A BREAKTHROUGH  
DEVELOPED BY INDUSTRY LEADER ZSI

Connected.Simply

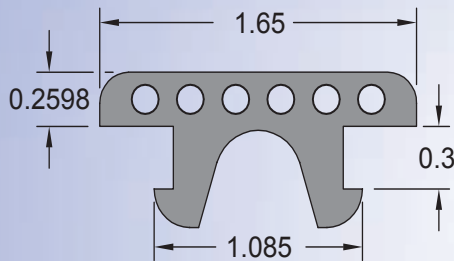
[www.ZSi-Foster.com](http://www.ZSi-Foster.com)



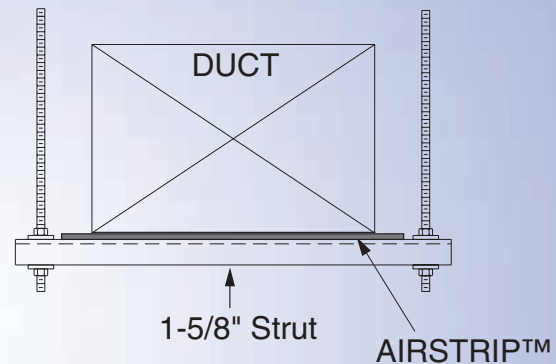
The AIRSTRIP™ is designed to dampen the noise and vibration that can occur between piping or duct work and the supporting channel. Made from 64 durometer Santoprene, the AIRSTRIP™ is light weight, dependable, and long-lasting.

- Temp Range: -40°F to 250°F (-40°C to 121°C)
- Available in 10' lengths
- Santoprene UL94HB rated
- Made in USA

Part No.	Max. Load Lbs. per Lineal In.		Length		Wt. Each per 10' peice	
	Lbs.	(kg/25.4mm)	Ft.	(m)	Lbs.	(kg)
AS1	40	18.1	10	3.05	3.1	1.4



Installs simply by pushing into place



To remove, squeeze the tabs at the end and push up



DISTRIBUTED BY:



**ZSi-Foster**

45065 Michigan Ave.  
 Canton, MI 48188  
 Tel: (734) 844-0055  
 Tel: (800) 323-7053  
 Fax: (734) 844-0066